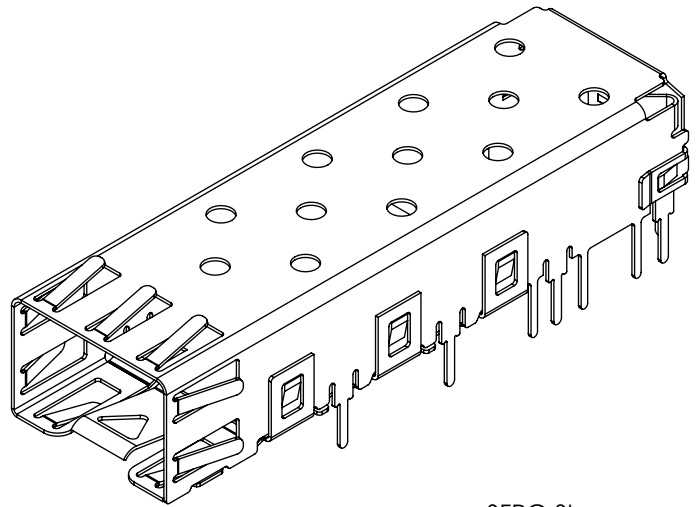


DO NOT  
SCALE FROM  
THIS PRINT

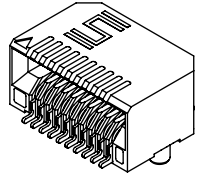


F SFPC-SL

SFPK-SL-XX

SOLDER LEADS  
USE MECT-110-01-M-D-RA1 &  
SFPC-SL (ONE EACH)

MECT CONNECTOR PACKAGE OPTION  
-TR: TAPE & REEL  
USE MECT-110-01-M-D-RA1-TR &  
SFPC-SL (ONE EACH)  
-LEAVE BLANK FOR TUBE PACKAGING



MECT-110-01-M-D-RA1

**MECT PACKAGING VIEW**  
(LOAD PARTS WITH POSITION #1 INDICATOR  
IN SAME DIRECTION AS ARROW ON TUBE)

TUBE: PT-1-24-01-113  
PLUG: TP-03

**SFPC-SL PACKAGING VIEW**  
(LOAD PARTS WITH OPEN END IN  
DIRECTION OF ARROW ON TUBE)

OPEN END

F NOTES:

1. SFPC-SL TUBE SUPPLIED BY VENDOR.

|   |   |   |                     |
|---|---|---|---------------------|
| <p>UNLESS OTHERWISE SPECIFIED,<br/>DIMENSIONS ARE IN INCHES.<br/>TOLERANCES ARE:<br/>DECIMALS ANGLES<br/>.XX: ±.01 [.3] 2°<br/>.XXX: ±.005 [.13]<br/>.XXXX: ±.0020 [.051]</p> | <p><b>PROPRIETARY NOTE</b><br/>THIS DOCUMENT CONTAINS INFORMATION<br/>CONFIDENTIAL AND PROPRIETARY TO<br/>SAMTEC, INC. AND SHALL NOT BE REPRODUCED<br/>OR TRANSFERRED TO OTHER DOCUMENTS OR<br/>DISCLOSED TO OTHERS OR USED FOR ANY<br/>PURPOSE OTHER THAN THAT WHICH IT WAS<br/>OBTAINED WITHOUT THE EXPRESSED WRITTEN<br/>CONSENT OF SAMTEC, INC.</p> | <p><b>samtec</b><br/>520 PARK EAST BLVD, NEW ALBANY, IN 47150<br/>PHONE: 812-944-6733 FAX: 812-948-5047<br/>e-Mail info@SAMTEC.com code 55322</p> |                     |
|   |   | <p>DESCRIPTION:<br/>SOLDER LEADS COMBO</p>  |                     |
| <p><b>MATERIAL:</b> DO NOT SCALE DRAWING SHEET SCALE: 2:1</p> <p>INSULATOR: LCP, UL 94 VO, COLOR: BLACK<br/>TERMINAL: PHOS BRONZE<br/>SFPC-SL: PHOS BRONZE</p>                |   | <p>DWG. NO.<br/><b>SFPK-SL-XX</b></p>   |                     |
| <p>F:\DWG\MISC\MKTG\SFPK-SL-XX-MKT.SLDDRW</p>   |   | <p>BY: KEVIN B 10/02/02</p>   | <p>SHEET 1 OF 1</p> |