

XDSL Splitter Filter Module



- Ⓜ POTS Central Office Splitter for standard ADSL applications
- Ⓜ Complies with option A of ETSI specification TS 101-952-1-1
- Ⓜ Part of a standard series which has footprint compaibility
- Ⓜ ADLS2+ compatible
- Ⓜ Low profile version of B8049: 12.5 mm height
- Ⓜ NL version: RoHS-6 compliant

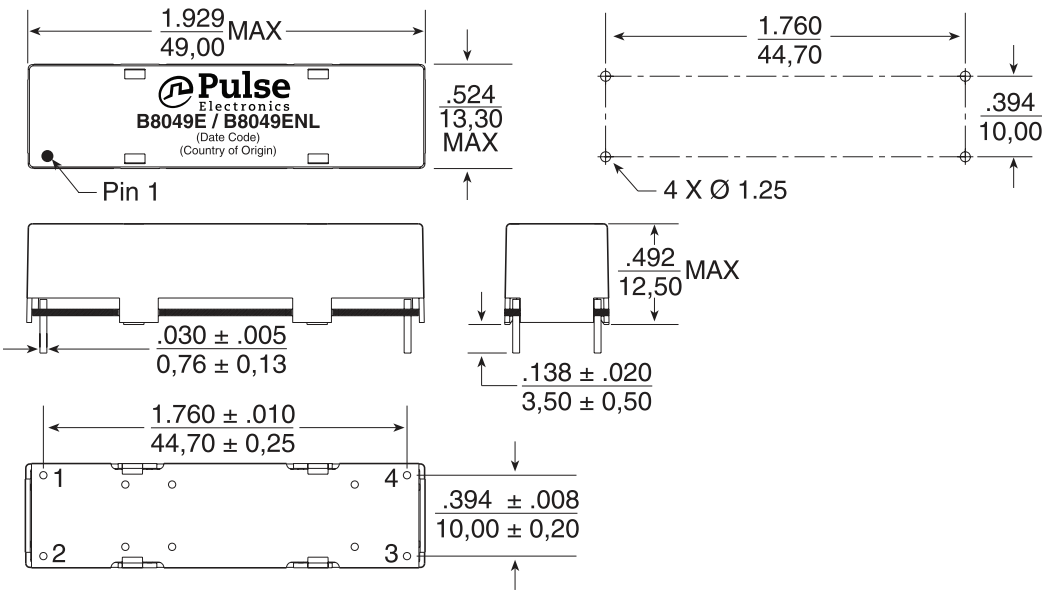
Electrical Specifications @ 25°C		
PARAMETER	FREQUENCY	
POTS Impedance	100Hz to 4kHz	270Ω + 750Ω / 150nF
POTS Insertion Loss	1Hz	-1.0dB MAX
POTS Insertion Loss Distortion relative to 1 kHz	200Hz to 4kHz	-1.0dB MAX
POTS Return Loss	300Hz to 2kHz	-14dB MIN
	2kHz to 3.4kHz	-12dB MIN
	3.4kHz to 4kHz	-8dB MAX
POTS Group Delay	200Hz to 4kHz	200μSec MAX
Longitudinal Balance	100Hz to 4kHz	-46 dB MIN
	4kHz to 30kHz	-25 dB MIN
	30kHz to 1.1MHz	-45 dB MIN
	1.1MHz to 3.0MHz	-30 dB MIN
	3.0MHz to 5.0 MHz	-20 dB MIN
ADSL Insertion Loss	32kHz to 2.2MHz	-55 dB MIN
DC Current		100mA MAX
Total Side Resistance		40Ω MAX
Line Side Impedance	400kHz to 2.2mHz	1.0kΩ MIN

*Notes: Exception - Typical Return Loss meets published ETSI specification TS101-952-1-3.

XDSL Splitter Filter Module

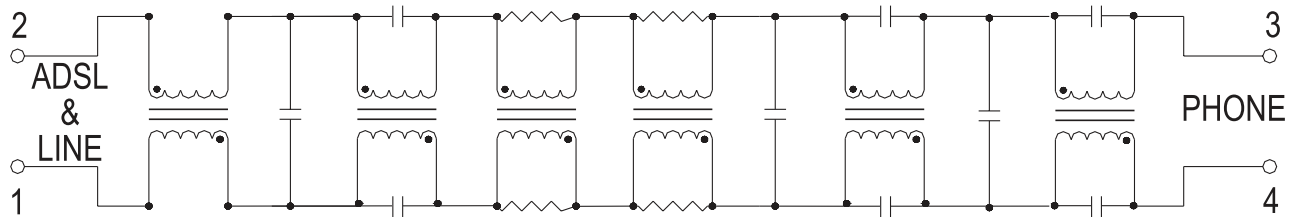
Mechanical

B8049E/B8049ENL



Schematic

B8049E/B8049ENL



For More Information

Pulse Worldwide Headquarters
 12220 World Trade Drive
 San Diego, CA
 92128
 U.S.A.

Tel: 858 674 8100
 Fax: 858 674 8262

Pulse Europe
 Einsteinstrasse 1
 D-71083 Herrenberg
 Germany

Tel: 49 7032 78060
 Fax: 49 7032 7806 135

Pulse China Headquarters
 B402, Shenzhen Academy of
 Aerospace Technol-
 ogy Bldg.
 10th Kejinan Road
 High-Tech Zone
 Nanshan District
 Shenzhen, PR China
 518057
 Tel: 86 755 33966678
 Fax: 86 755 33966700

Pulse North China
 Room 2704/2705
 Super Ocean Finance
 Ctr.
 2067 Yan An Road
 West
 Shanghai 200336
 China
 Tel: 86 21 62787060
 Fax: 86 2162786973

Pulse South Asia
 135 Joo Seng Road
 #03-02
 PM Industrial Bldg.
 Singapore 368363
 Tel: 65 6287 8998
 Fax: 65 6287 8998

Pulse North Asia
 3F, No. 198
 Zhongyuan Road
 Zhongli City
 Taoyuan County 320
 Taiwan R. O. C.
 Tel: 886 3 4356768
 Fax: 886 3 4356823 (Pulse)
 Fax: 886 3 4356820 (FRE)

Performance warranty of products offered on this data sheet is limited to the parameters specified. Data is subject to change without notice. Other brand and product names mentioned herein may be trademarks or registered trademarks of their respective owners. © Copyright, 2012. Pulse Electronics, Inc. All rights reserved.