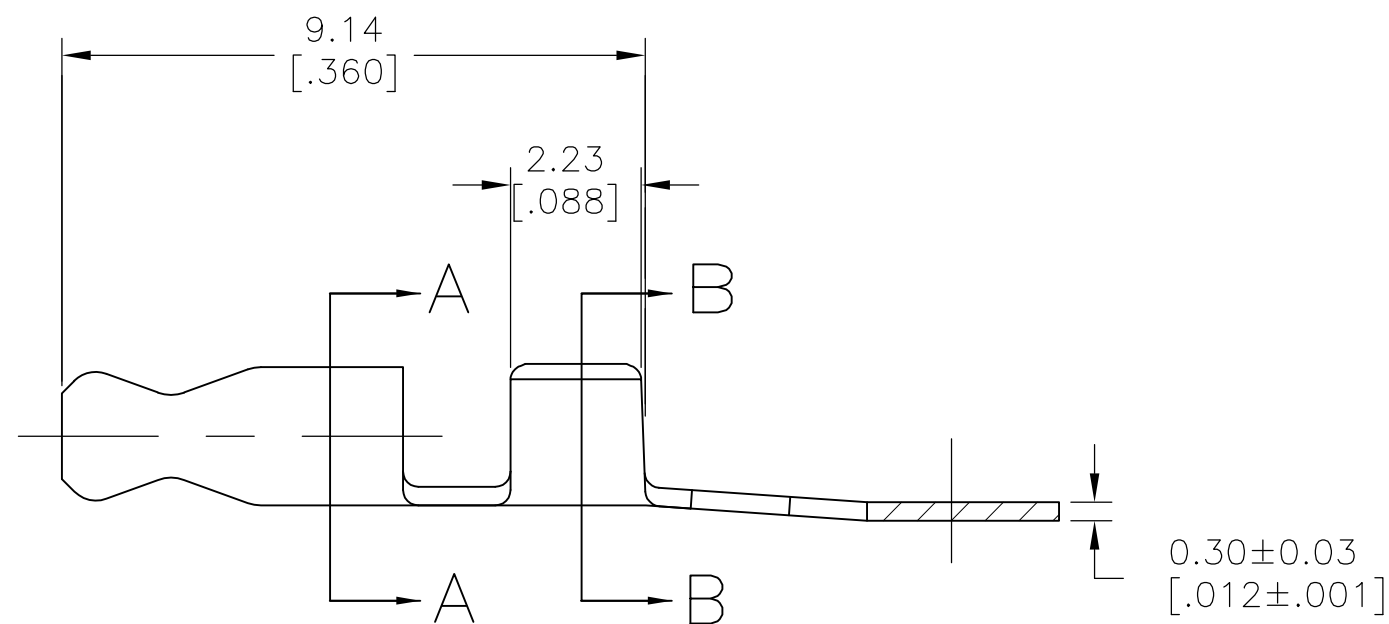
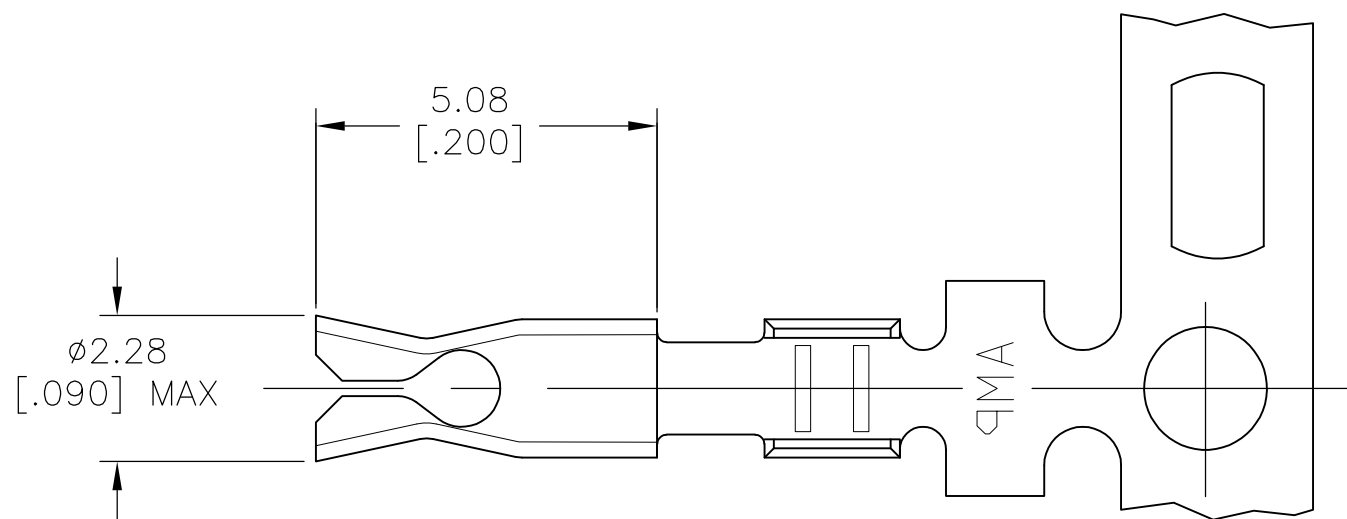
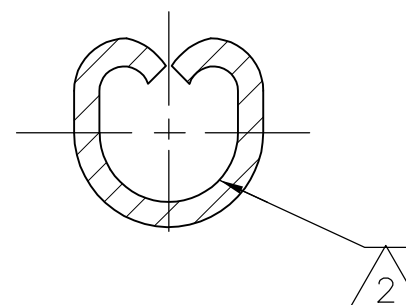


THIS DRAWING IS UNPUBLISHED. RELEASED FOR PUBLICATION  
 © COPYRIGHT BY TYCO ELECTRONICS CORPORATION. ALL INTERNATIONAL RIGHTS RESERVED.

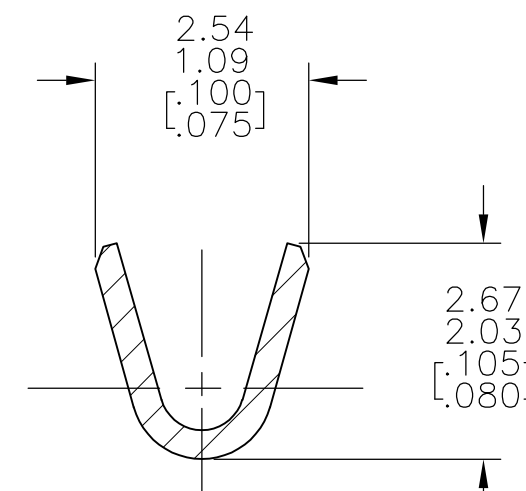
LOC	DIST	REVISIONS					
AF	50	P	LTR	DESCRIPTION	DATE	DWN	APVD
		J1		REVISED PER ECR-10-023424	19NOV10	HMR	GJ



- 1 CONTINUOUS STRIP ON REELS
- △ 2 F CRIMP TO STABILIZE PIN
- 3 WIRE BARREL ACCEPTS #24-#20 AWG [0.2-0.5mm<sup>2</sup>] STRANDED WIRE.
- 4 CONTACT ACCEPTS A 1.02[.040]±.025[.001] DIAMETER PIN.



SECTION A-A  
SCALE 10:1



SECTION B-B  
SCALE 10:1

WIRE BARREL CRIMP				
WIRE AWG	HEIGHT ±0.05[.002]	WIDTH	TYPE	STRIP LENGTH ±0.38[.015]
20	1.07[.042]			
22	0.99[.039]	1.78[.070]	F	3.30[.130]
24	0.91[.036]			

WIRE BBL DOWN	62160-3
WIRE BBL UP	62160-1
REELING	PART NO

THIS DRAWING IS A CONTROLLED DOCUMENT.		DWN 1/27/88 PHILLIP M FORTNEY	Tyco Electronics Corporation Harrisburg, PA 17105-3608	
DIMENSIONS: mm [INCHES]		CHK 2/17/88 MICHAEL S FEHER		
TOLERANCES UNLESS OTHERWISE SPECIFIED:		APVD 2/17/88 GARY YETTER	NAME PIN RECEPTACLE, 1.02[.040] DIA	
0 PLC ± - 1 PLC ± - 2 PLC ± 0.38[.015] 3 PLC ± - 4 PLC ± - ANGLES ± -		PRODUCT SPEC -	APPLICATION SPEC 114-2083	
MATERIAL T4 PHOS BRONZE		FINISH TIN PL	WEIGHT -	RESTRICTED TO -
CUSTOMER DRAWING			SIZE A3	CAGE CODE 00779
			DRAWING NO G-62160	SCALE 8:1
			SHEET 1 OF 1	REV J1