



# PRODUCT SPECIFICATION

**SPEC. No:** \_\_\_\_\_

**Attn:** \_\_\_\_\_

**DATE:** Aug.28.2013

CUSTOMER PRODUCT NAME:
TDK PRODUCT NAME: <b>WR483245-15F5-**</b>
APPROVED BY:
CUSTOMER COMMENT:
<b>REMARK:</b> Please sign back specification after customer conformation until 2weeks. If customer can't sign back specification, customer should be approved TDK specification.

## **TDK Corporation**

### **Head Office Address:**

3-9-1, Shibaura, Minato-ku, Tokyo

108-0023 , Japan

### **SALES**

MANAGER	SALES

### **ENGINEERING**

APPROVED	CHECKED	ISSUED

Sales Office \_\_\_\_\_

Sales Tel. \_\_\_\_\_

PRODUCT	
---------	--

# REVISED HISTORY

CUSTOMER PRODUCT NAME: \_\_\_\_\_

TDK PRODUCT NAME: **WR483245-15F5-\*\***

PRELIMINARY

NO.	REV.	REVISED CONTENT	REVISED REASON	DATE
1	0	To establish specification		2012.08.28

# PRODUCT SPECIFICATION

TDK PRODUCT NAME:

**WR483245-15F5-\*\***

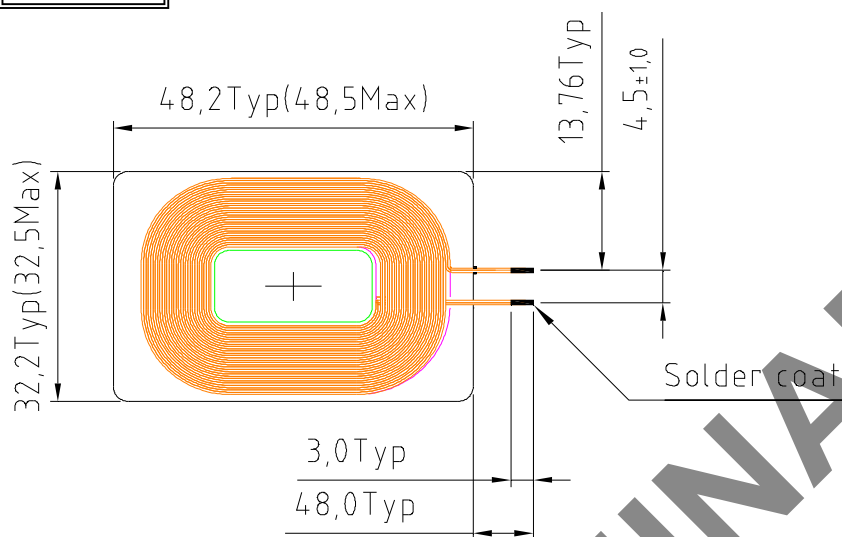
SPEC. NO.

CUSTOMER PRODUCT NAME:

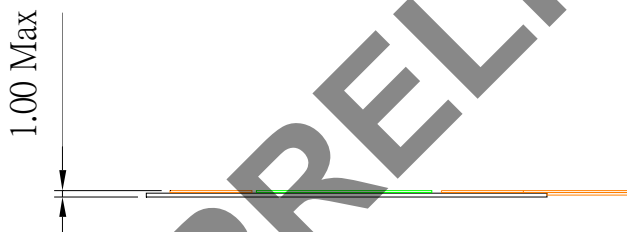
(1) Appearance & Dimensions (Unit: mm)

Weight: 5.60g (Typ.)

TOP VIEW



SIDE VIEW



[ Remarks ]

1. Lead Wire Pitch is the end of wire position, not Output terminal.

2. Marking Content:

a. T: Manufacturing Centers

b. Lot No.: □□ ○○ △△

(1) (2) (3)

(1) Year: A.D. end number in double

(2) Month: Jan.(01) , Feb.(02)...Dec.(12)

(3) Day: 01,02,03,...31.

TDK 45-15F5-\*\*  
T□□○○△△

LOT NO.



# PRODUCT SPECIFICATION

TDK PRODUCT NAME:

**WR483245-15F5-\*\***

SPEC. NO.

CUSTOMER PRODUCT NAME:

## (2) Air coil specification

Wire Diameter:  $\phi 0.30 \times 2$  ( Bifilar Winding Coil)

Coil Turns: 15Ts

## (3) Electrical Characteristics

No.	Parameter	Specification	Test Instrument
1	Inductance	13.0 $\mu$ H TBD.	HP 4284A DIGITAL LCR METER or EQUIVALENT (@100kHz 1.0 Vrms)
2	DC Resistance	0.20 $\Omega$ Max (At 25°C)	CHEN HWA 502A OHM METER or EQUIVALENT

## (4) Temperature Characteristics

No.	Parameter	Specification
1	Operating Temperature	-30~70°C
2	Storage Temperature	-40~85°C

## (5) Application

1. Reflow and dip-flow soldering can not used for this product.
2. The product fit in with RoHS rule.
3. The product fit in with Halogen-Free.

# PRODUCT SPECIFICATION

TDK PRODUCT NAME: <b>WR483245-15F5-**</b>	SPEC. NO.	CUSTOMER PRODUCT NAME:
--	-----------	------------------------

## (6) Reliability Conditions

No.	Parameter	Conditions
1	Low Temperature (Storage)	(1) Temperature : $-40\pm 2^{\circ}\text{C}$ (2) Time : 240Hrs
2	High Temperature (Storage)	(1) Temperature : $+85\pm 2^{\circ}\text{C}$ (2) Time : 240Hrs
3	Thermal Shock (Storage)	(1) Temperature : $-40\pm 5^{\circ}\text{C} / 30\text{min} \sim +85\pm 5^{\circ}\text{C} / 30\text{min}$ (2) Ambient Time : 5min (3) Times : 100cycles
4	Vibration	Unpacked: (1) frequency: 10~500Hz sweep octave wave(1 oct/ min) (2) Amplitude: 10G or 1.5mm P-P (3) Testing time : XYZ 2h/axis, total 6h
5	Shock Test	Fixed within the jig (1) Acceleration : $1000\text{m} / \text{s}^2$ (2) Pulse width : 6 msec (3) Direction : $\pm X, \pm Y, \pm Z$ (4) Frequency of shock : 3 times each (Total 18 times)  Half-sine shock (1) 200G, 3ms(Gravity) (2) One shock per face (3) Total 6 shocks
6	Temperature / Humidity (Storage)	(1) Temperature : $+60\pm 2^{\circ}\text{C}$ (2) Humidity: 90% RH. (3) Time: 240Hrs
7	Drop Test	(1) Height : 160cm to the concrete floor (fixture weight : 100g(REF) ) (2) Direction : 6 directions (3) Times : 3 times / direction
8	Package Drop	(1) Drop the sample package in a carton box. (2) Height : 100 cm (3) Direction : 1corner, 3 edges, 6 faces (4) Drop time : 16 times

# PRODUCT SPECIFICATION

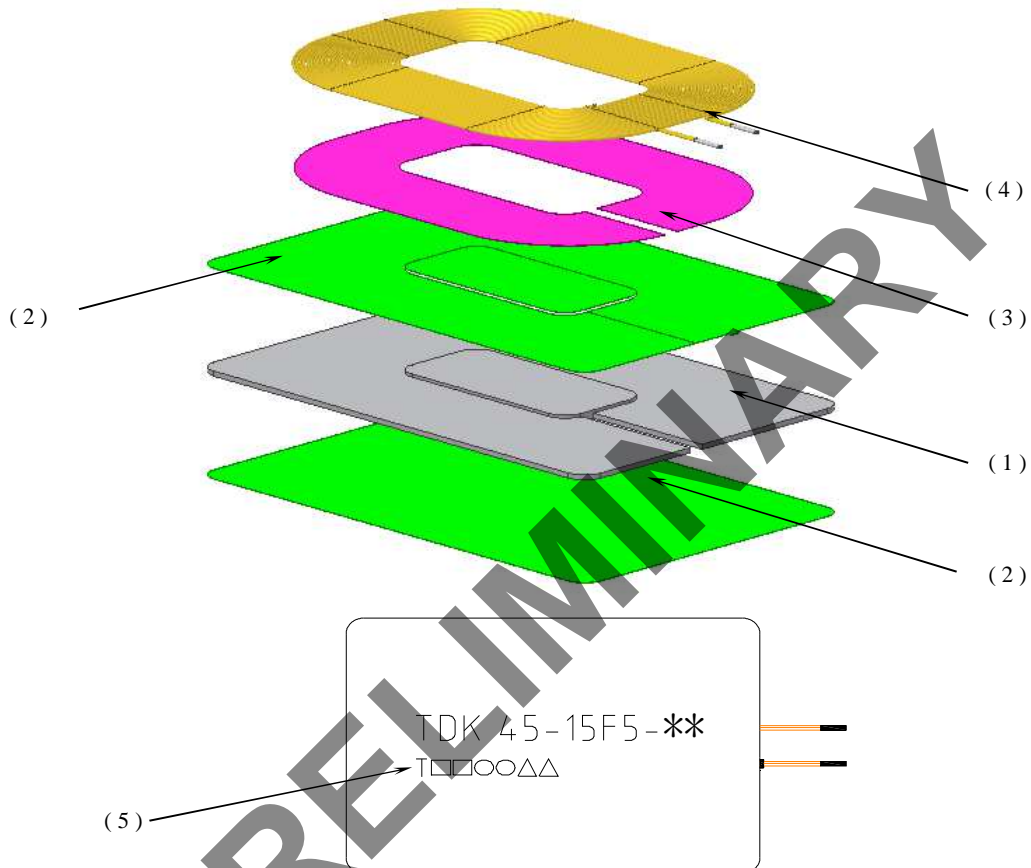
TDK PRODUCT NAME:

**WR483245-15F5-\*\***

SPEC. NO.

CUSTOMER PRODUCT NAME:

## (7) Construction



## (8) Material List

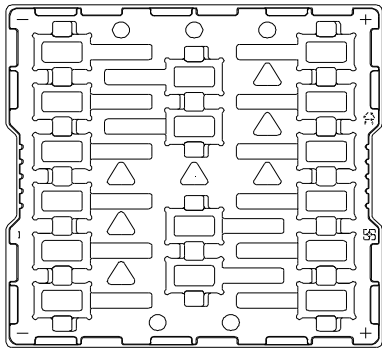
No.	Material Name
1	Ferrite Sheet
2	PET Tape
3	Adhesive Tape
4	Air Coil
5	Ink

# PRODUCT SPECIFICATION

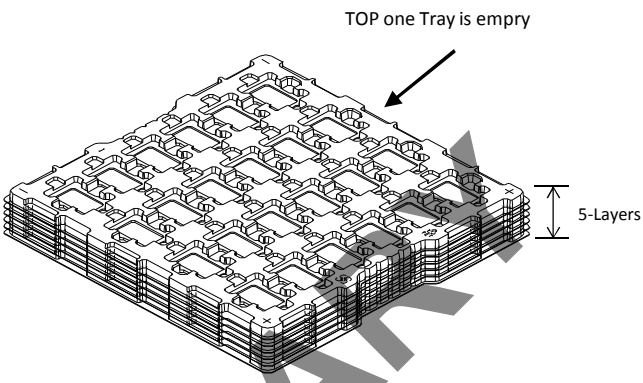
TDK PRODUCT NAME: <b>WR483245-15F5-**</b>	SPEC. NO.	CUSTOMER PRODUCT NAME:
--	-----------	------------------------

**(9) Packing**

- To stack the the Trays onto 5 Layers. :
  - PS tray dimension: 326\*329\*9.5mm (REF.)
  - 16 Pcs / per PS tray



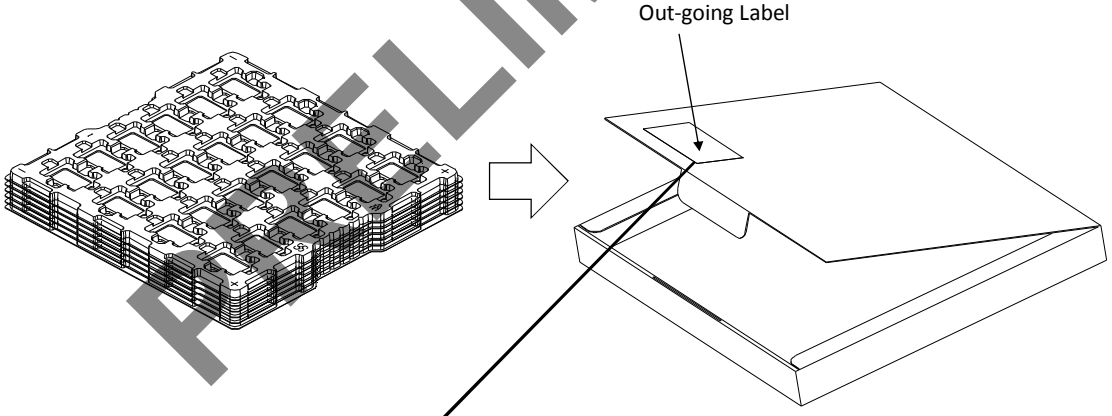
Total : 6x2+4=16pcs



Total : 16x4=64pcs

- To put 5 Trays of products into the small Carton and affixing the out-going label on the outside .

- Small carton dimension: 331\*337\*33mm (REF.)
- 5 PS Trays / per small carton ( One PS tray of the top side is empty in the small carton)



<b>CUST PROD ID(P):</b> WR483245-15F5-**		Customer	
		ROHS	
<b>QTY(Q):</b> 120	<b>(6P):</b> TXDF10108TWN050009010		
<b>TDK ITEM(1P):</b> WR483245-15F5-**	<b>VDR(V):</b> TDK		
<b>LOT NO(1T):</b> WL11K06001 + M0001	<b>DATE CODE(T):</b> 1143	0001	
		001/014	
2011/10/09	MADE IN TAIWAN	12296A1181	
		(S)	
(ITEM: WR483245-15F5-**)	(1M)TTXDF10108	TDK TAIWAN CORPORATION	

Out-going Label

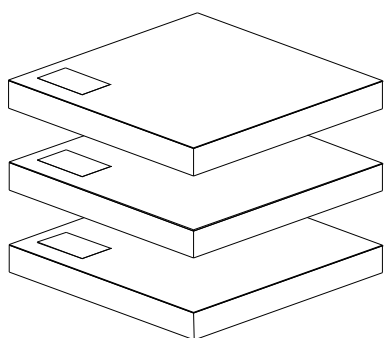


# PRODUCT SPECIFICATION

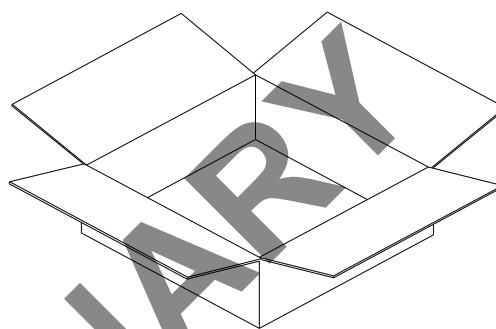
TDK PRODUCT NAME: <b>WR483245-15F5-**</b>	SPEC. NO.	CUSTOMER PRODUCT NAME:
--	-----------	------------------------

3. To put 3 small carton into the Carton .

- Outer carton dimension: 347\*340\*124mm (REF.)
- 3 small cartons / per outer carton
- Total quantity : 192 Pcs



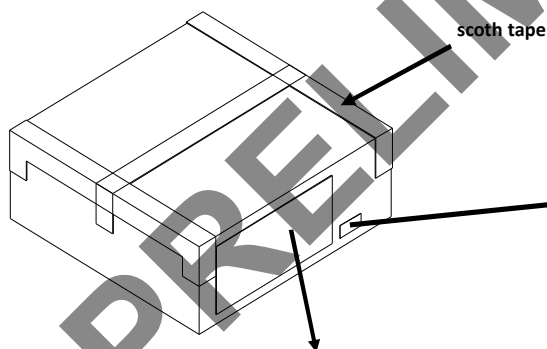
3 small cartons



Outer carton

4. Packing.

- To pack the carton by scotch tape and affix out-going label (outside) on it outside.
- The Inspection data in the box , there would be a signet mark on it outside.



INSPECTION DATA  
ENCLOSED  
檢驗紀錄表在內

signet mark of Inspection data

(3S) TTW+WL11K0600200101400000360 		CUSTOMER: Customer	
(6S) C/NO:1		BOX COUNT	CUST. PART NO(P): 12A34567-89A
	001/009	ROHS	TDK ITEM CODE(6P): TXDF10105TWN
SHIPPING MARK		P/O NO.(K): TSHV-S001016344	
<b>SAMPLE</b>		LOT NO.(IT): WL12345678	DATE: Oct.07.2011
		QTY(Q): 288	
Customer Location		TDK ITEM (IP): WR483245-15F5-**	
		WR483245-15F5-**	
MADE IN TAIWAN WLXXXXXXXX 12345A6789		SUB P/O NO.(6K): 4500059424	
		TDK SPEC.	
C/NO:1	WAREHOUSE	(CT)	
	NW 3.6	GW 4.0	9
TDK TAIWAN CORPORATION		YANGMEI, TAIWAN	TTXDF10105

out-going label (outside)