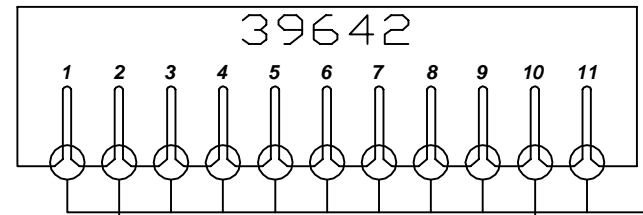


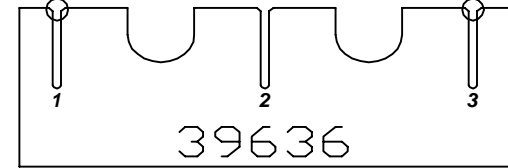
# Assembly Instructions for - 37199

Folded Long Partition



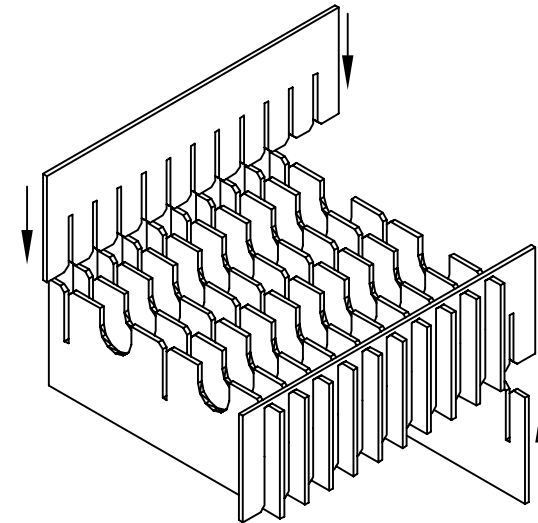
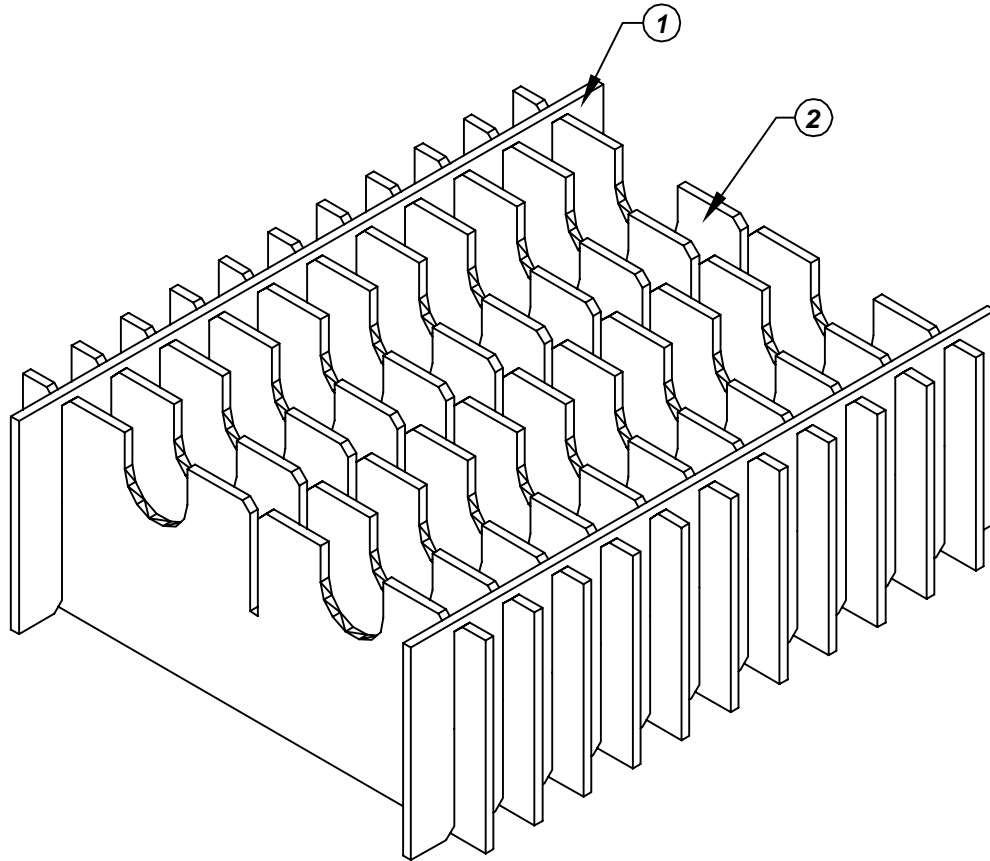
1

Use only the circled slots for partition assembly



2

Folded Short Partition



Made in America

F/N 1	Part # 39642	Dimensions: 12" x 18-5/8"	Description: 406-HLP Long Partition	Qty: 2
F/N 2	Part # 39636	Dimensions: 12" x 14-3/4"	Description: 406/468-HSP Short Partition	Qty: 11

## 37199 - 12 Cell Inplant Handler Cell Size - 5-7/8" x 12-3/4" x 1-1/4"

Notes:  
For use with the following storage container & lid:  
37506 - Storage Container  
37554 - Lid

PROTEKTIVE PAK  
13520 MONTE VISTA AVENUE, CHINO, CA 91710  
PHONE (909) 627-2578, FAX (909) 363-7331  
ProtectivePak.com



DRAWING NUMBER  
**IPH-37199**

DATE  
Nov.  
2007