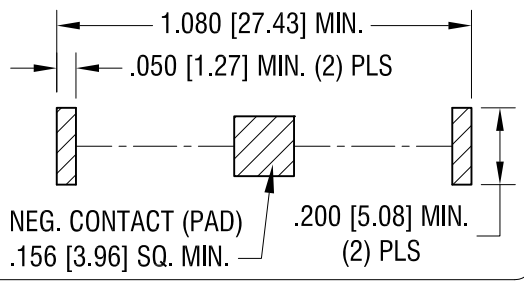
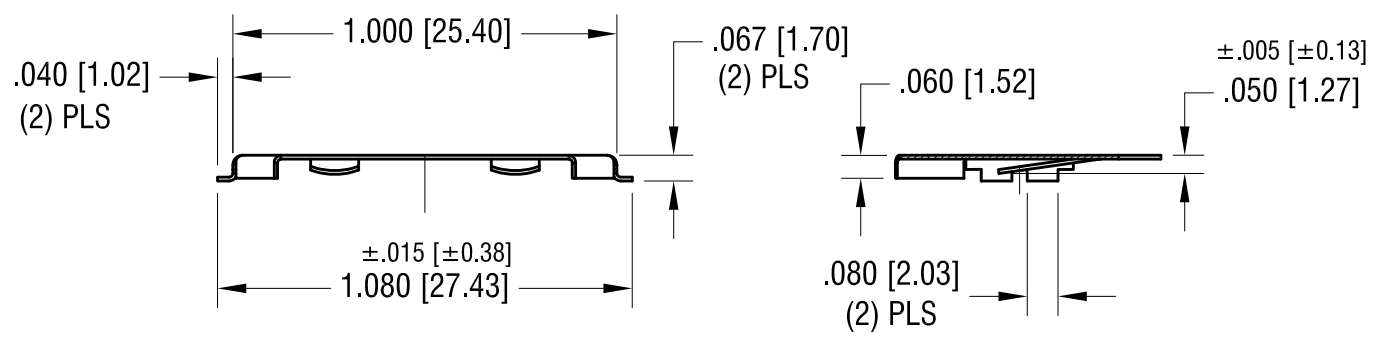
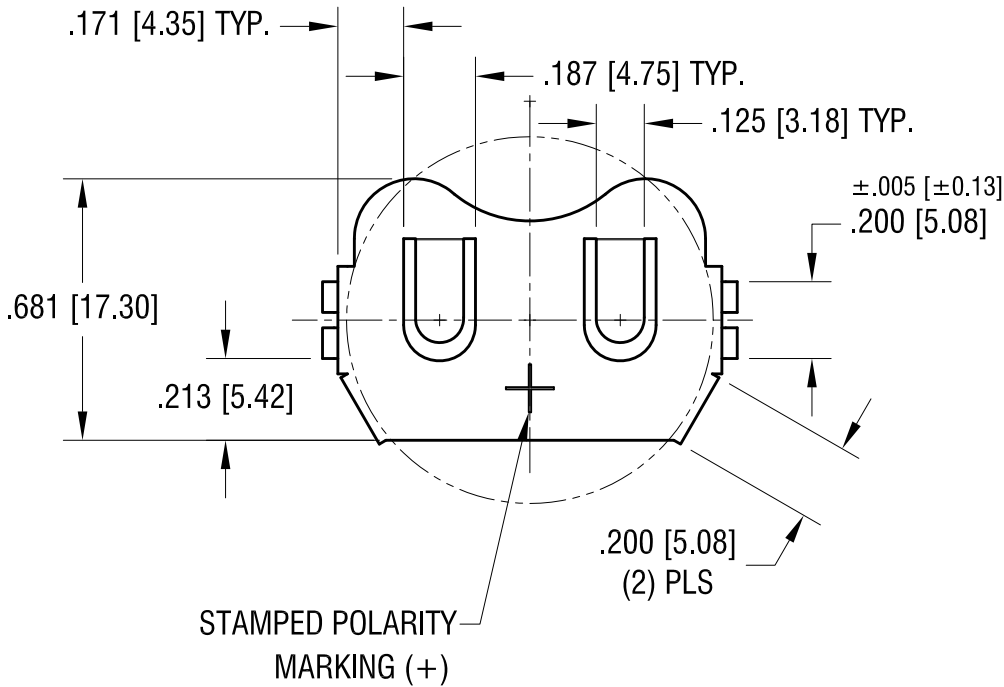
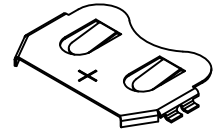


THIS DOCUMENT IS THE PROPERTY OF KEYSTONE ELECTRONICS CORP. AND SHALL NOT BE REPRODUCED, DISTRIBUTED OR USED AS A BASIS FOR MANUFACTURE WITHOUT PRIOR WRITTEN PERMISSION FROM KEYSTONE ELECTRONICS CORP.

**MOUNTING PAD LAYOUT**



**ACTUAL SIZE**



|   |                 |                                  |         |
|---|-----------------|----------------------------------|---------|
| <b>KEYSTONE ELECTRONICS CORP.</b>                               |                 |                                  |         |
| www.keyelco.com • ASTORIA, N.Y. 11105-2017 • Tel (718) 956-8900 |                 |                                  |         |
| PART NAME   |                 | 2412 SM COIN CELL CLIP           |         |
| MATERIAL  |                 | .010 [0.25] TH'K PHOSPHOR BRONZE |         |
| FINISH  |                 | DRN BY                           | DATE    |
| TIN NICKEL PLATE  |                 | NT                               | 2.16.11 |
|   |                 | APP'D                            | SCALE   |
|   |                 | LN                               | 2X      |
| TOLERANCES  | INCH [MM]       | CODE                             | DWG NO. |
| DECIMAL   | ± .010 [± 0.25] | C                                | 3032    |
| ANGULAR   | ± 1°            |                                  |         |
| UNLESS OTHERWISE SPECIFIED                                      |                 |                                  |         |

|         |                          |      |
|---------|--------------------------|------|
| 5.07.15 | CHANGE AS PER ECN 15-055 | B    |
| 2.23.11 | CHANGE AS PER ECN 11-020 | A    |
| DATE    | DESCRIPTION              | REV. |