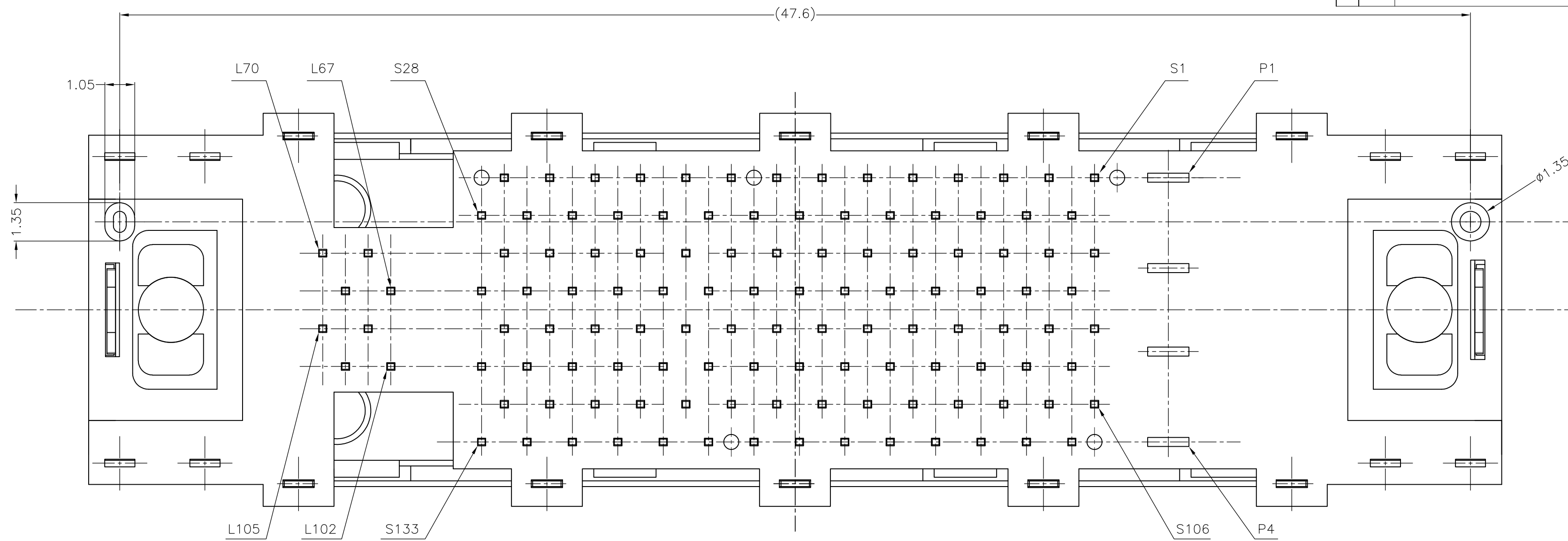
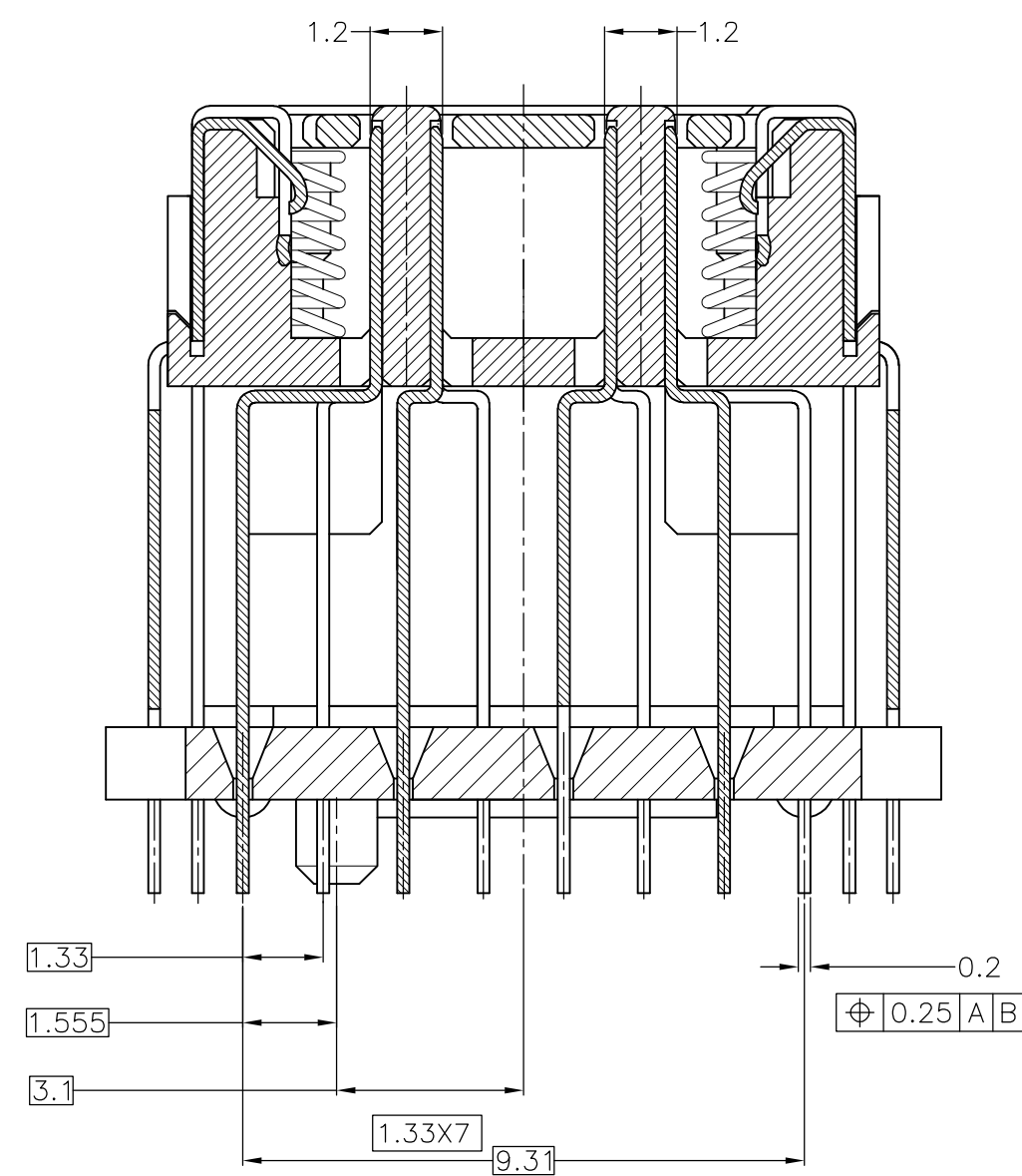


THIS DRAWING IS UNPUBLISHED. RELEASED FOR PUBLICATION .2005.
 © COPYRIGHT 2005 BY TYCO ELECTRONICS CORPORATION. ALL RIGHTS RESERVED.

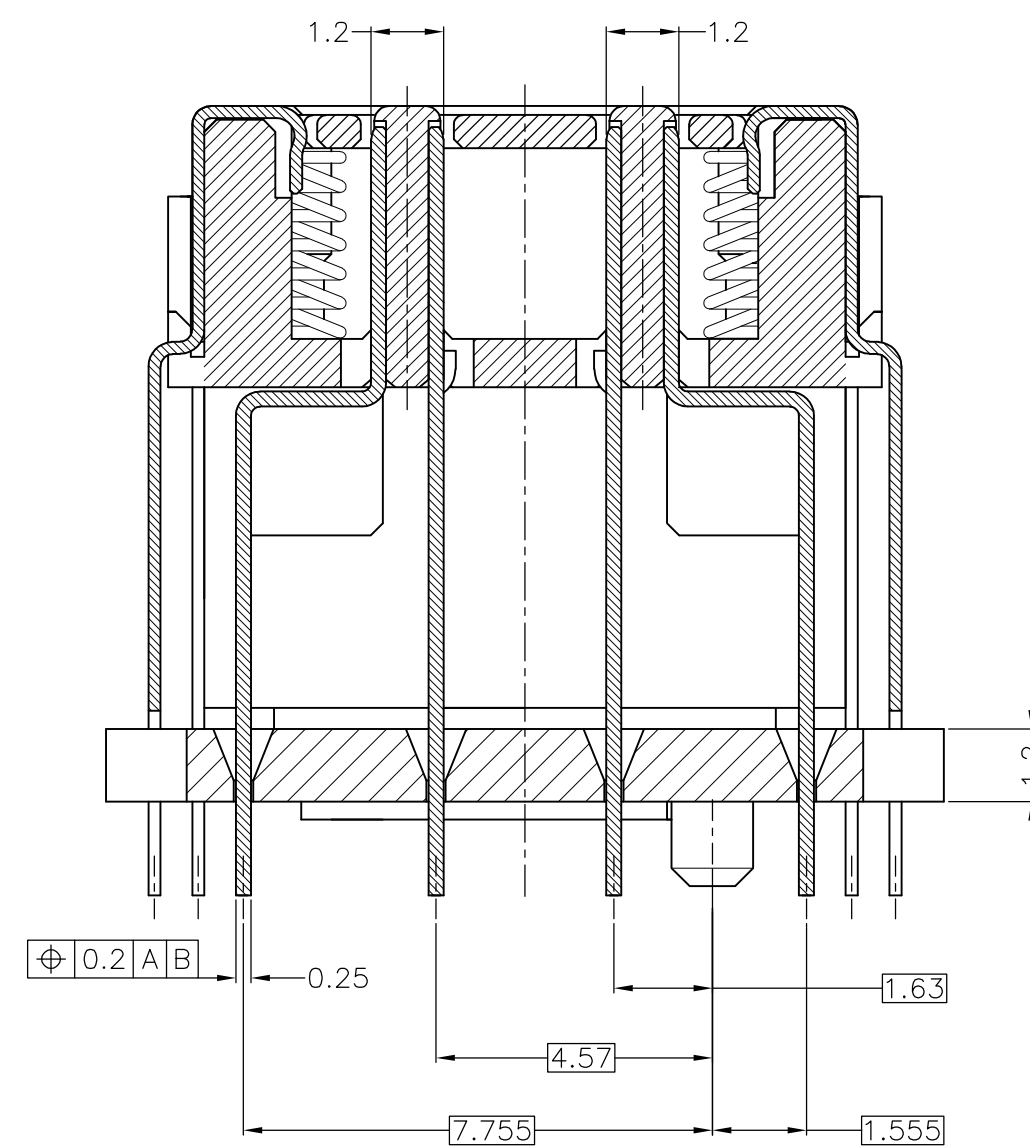
LOC	DIST	REVISONS			DATE	DWN	APVD
J		P	LTR	DESCRIPTION			
		-	-	SEE SHEET 1	-	-	-



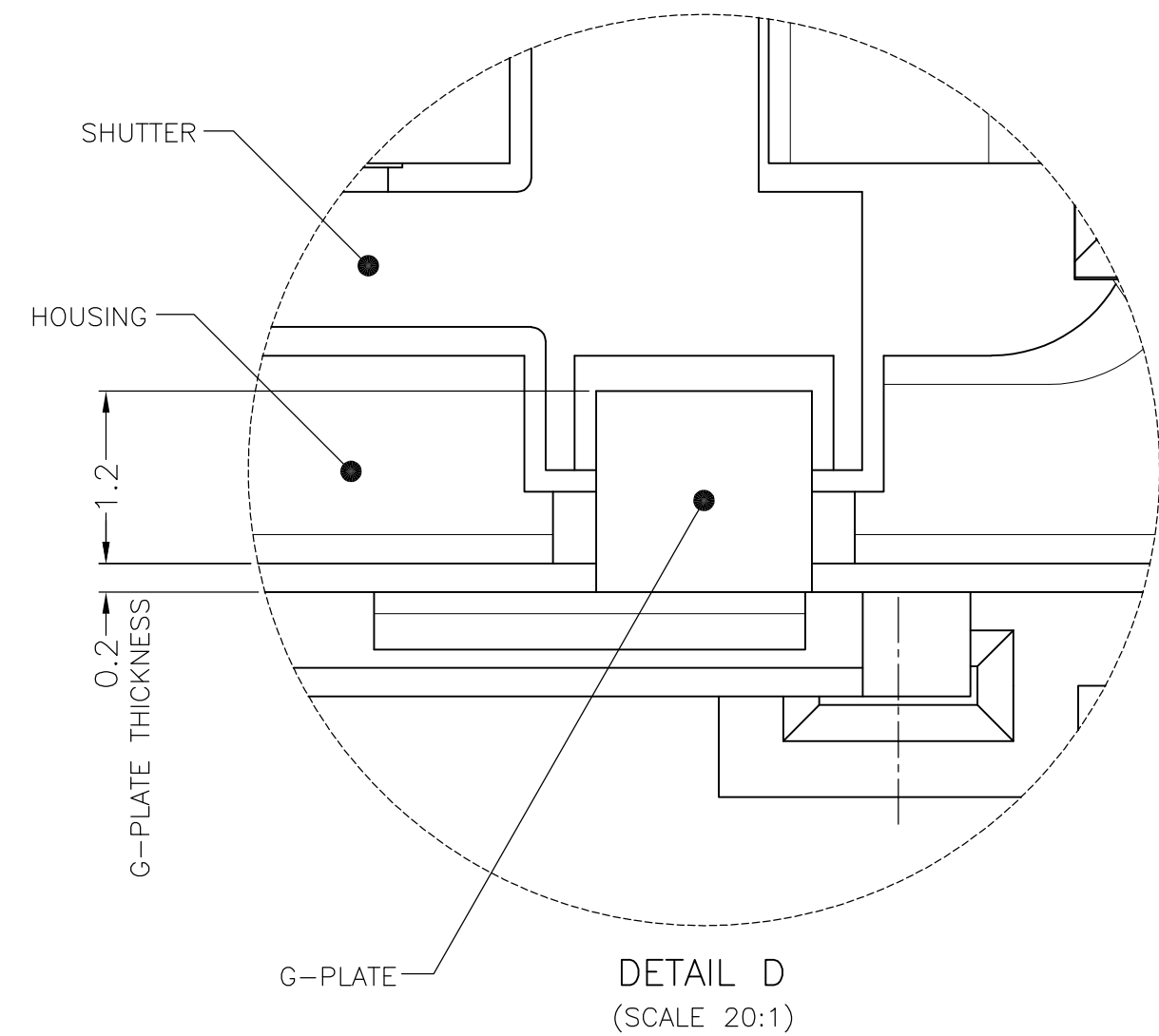
VIEW C



SECT. A-A



SECT. B-B



DETAIL D (SCALE 20:1)

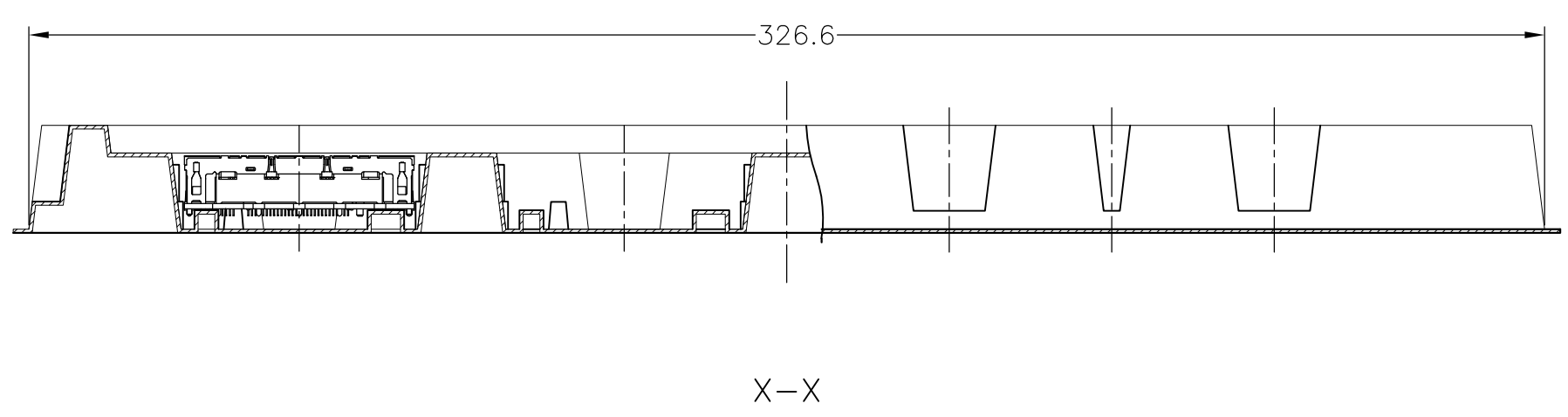
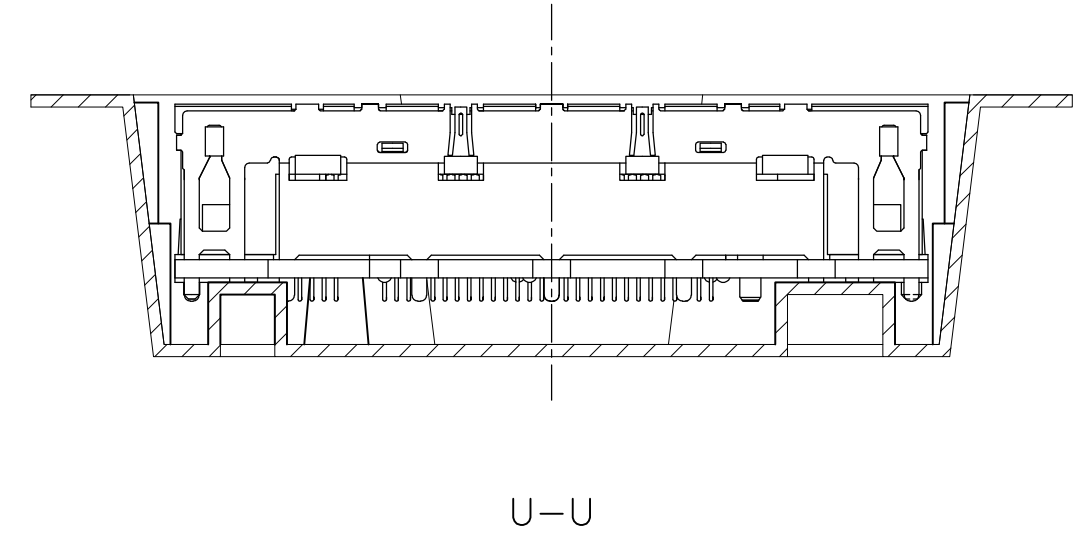
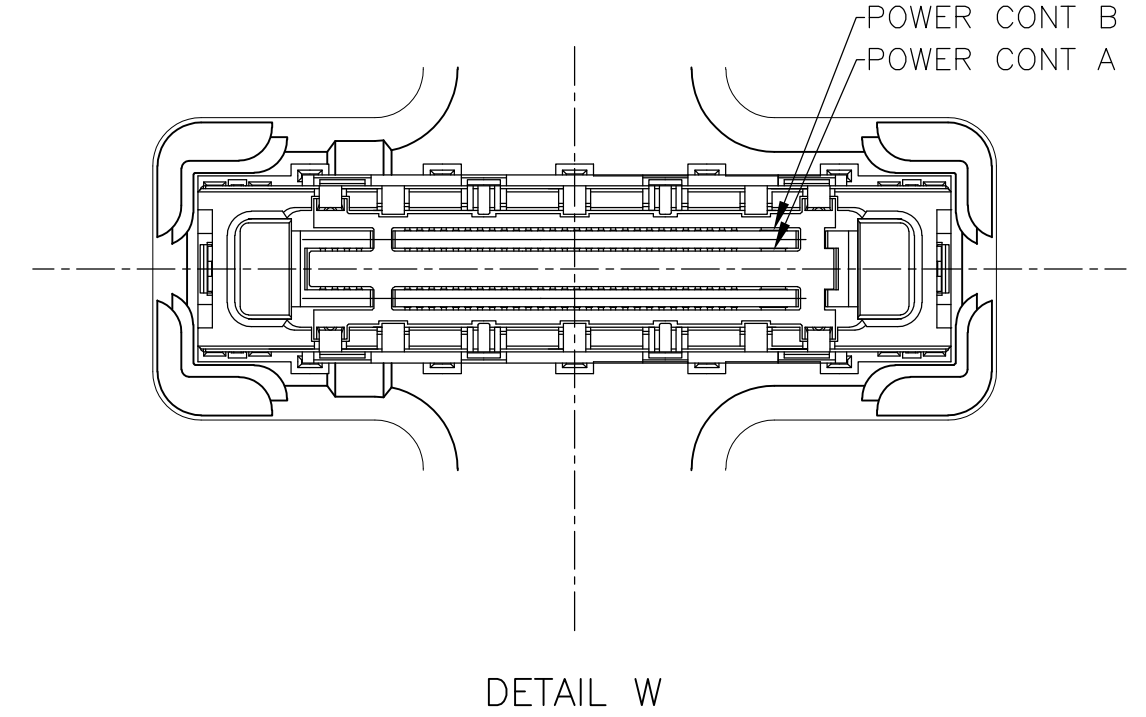
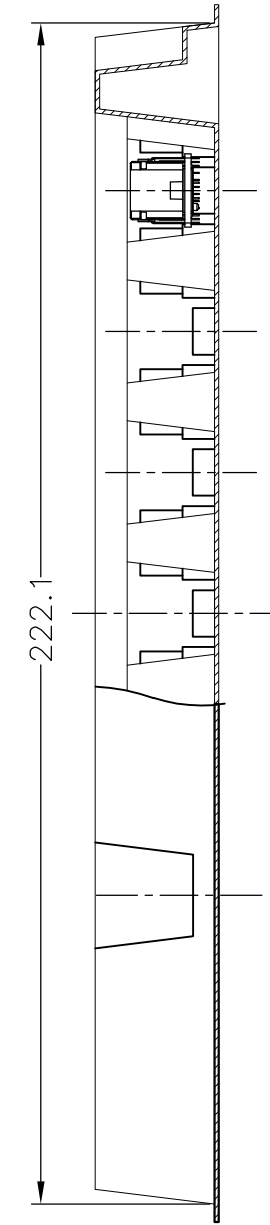
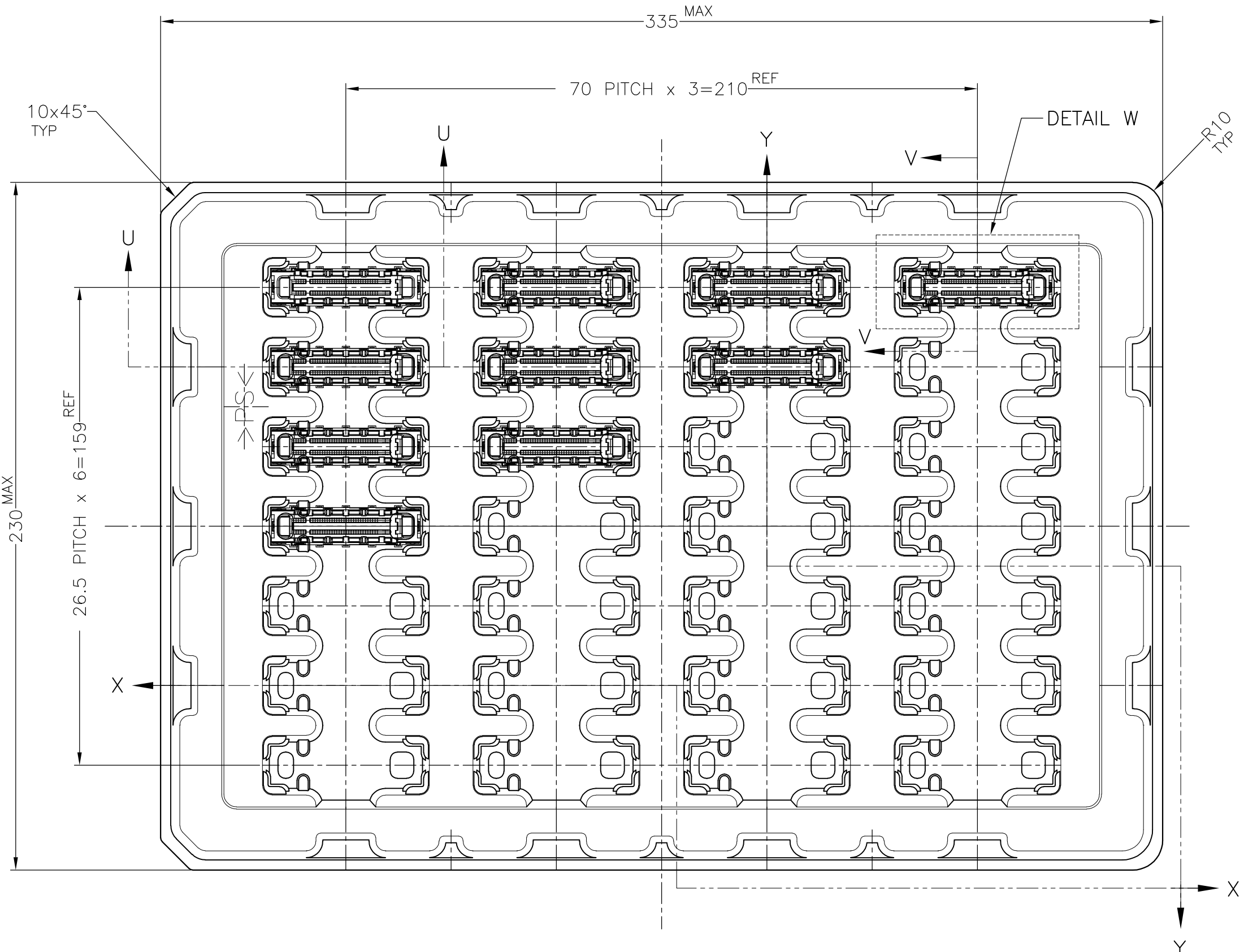
GENERAL TOLERANCE
 一般公差
 10 ≥ ±0.2
 30 > 10: ±0.25
 100 ≥ > 30: ±0.3
 ANGLES: ±3°

THIS DRAWING IS A CONTROLLED DOCUMENT.		DWN
DIMENSIONS: 单位: 毫米 mm		CHK
TOLERANCES UNLESS OTHERWISE SPECIFIED 一般公差		APVD
0 PLC ±	1 PLC ±	PRODUCT SPEC 製品規格
2 PLC ±	3 PLC ±	APPLICATION SPEC 取付適用規格
4 PLC ±	ANGLES ±	WEIGHT
MATERIAL 材料	FINISH 仕上	CUSTOMER DRAWING

Tyco Electronics Tyco Electronics Corporation Kawasaki, Japan		NAME 名称	0.8 DOCKING CONNECTOR H=11.8 PLUG 140P/POWER 4P WITH SHUTTER
SIZE A2	CAGE CODE 00779	DRAWING NO 番号 C=2040928	RESTRICTED TO
SCALE 尺度 8:1	SHEET 2 of 4	REV A	

THIS DRAWING IS UNPUBLISHED. RELEASED FOR PUBLICATION .2005.
 © COPYRIGHT 2005 BY TYCO ELECTRONICS CORPORATION. ALL RIGHTS RESERVED.

LOC	DIST	REVISIONS					
J		P	LTR	DESCRIPTION	DATE	DWN	APVD
		-	-	SEE SHEET 1	-	-	-



THIS DRAWING IS A CONTROLLED DOCUMENT.		DWN	Tyco Electronics Corporation Kawasaki, Japan	
DIMENSIONS: 单位: 毫米 mm		CHK	NAME 名称	
TOLERANCES UNLESS OTHERWISE SPECIFIED: 一般公差		APVD	0.8 DOCKING CONNECTOR H=11.8 PLUG 140P/POWER 4P WITH SHUTTER	
0 PLC ± 1 PLC ± 2 PLC ±1.0mm 3 PLC ± 4 PLC ± ANGLES ±		PRODUCT SPEC 製品規格	SIZE A2	CAGE CODE 00779
MATERIAL 材料		APPLICATION SPEC 取付適用規格	DRAWING NO 番号 C=2040928	RESTRICTED TO
FINISH 仕上		WEIGHT	SCALE 尺度 NTS	SHEET 4 OF 4
		CUSTOMER DRAWING	REV A	