

Fiber optic - HS LC-V-D3/ R3XC1-5,08 - 2202312


Please be informed that the data shown in this PDF Document is generated from our Online Catalog. Please find the complete data in the user's documentation. Our General Terms of Use for Downloads are valid (<http://phoenixcontact.com/download>)



Light guides, can be used for the BC housing range (housing must be processed), color: transparent



Key Commercial Data

Packing unit	200 STK
Minimum order quantity	200 STK
GTIN	 4 055626 049939
GTIN	4055626049939

Technical data

General

Housing type	Light guides
Housing material	PC
Color (RAL)	transparent

Ambient conditions

Ambient temperature (operation)	-40 °C ... 85 °C
---------------------------------	------------------

Dimensions

Pitch	5.08 mm
-------	---------

Technical data

Number of positions	3
---------------------	---

Standards and Regulations

Flammability rating according to UL 94	HB
--	----

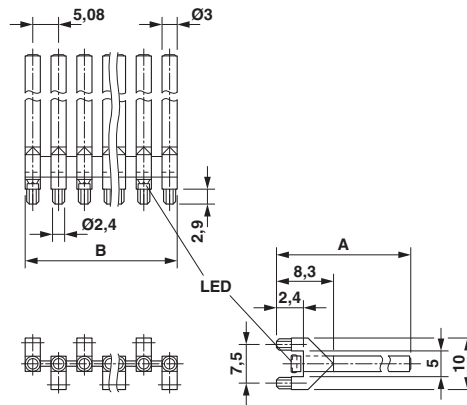
Environmental Product Compliance

China RoHS	Environmentally friendly use period: unlimited = EFUP-e
	No hazardous substances above threshold values

Fiber optic - HS LC-V-D3/ R3XC1-5,08 - 2202312

Drawings

Dimensional drawing



Details on positioning inside the electronics housing can be found in the download area under "Design-In"

Phoenix Contact 2018 © - all rights reserved
<http://www.phoenixcontact.com>

PHOENIX CONTACT GmbH & Co. KG
Flachsmarktstr. 8
32825 Blomberg
Germany
Tel. +49 5235 300
Fax +49 5235 3 41200
<http://www.phoenixcontact.com>