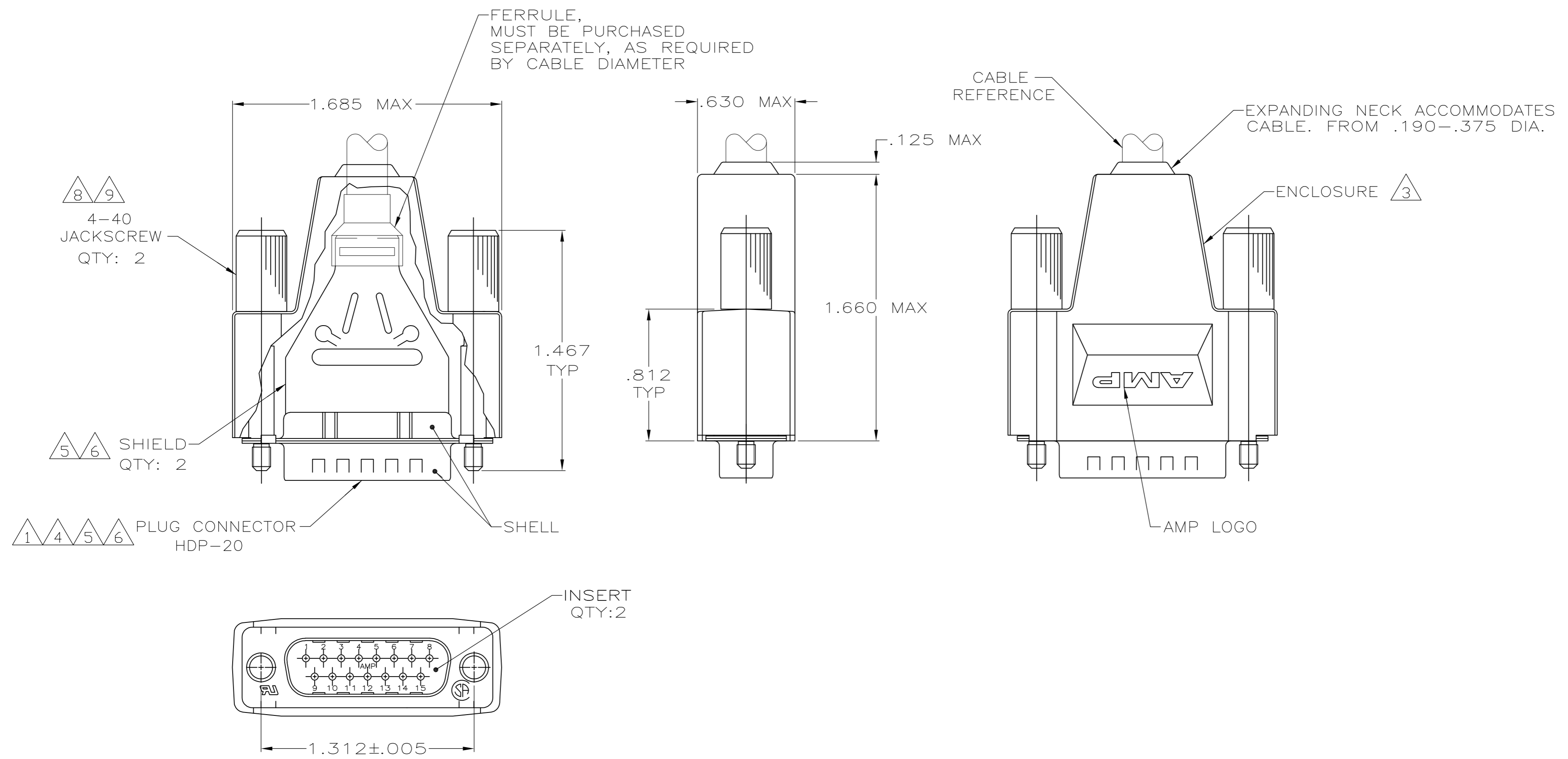


THIS DRAWING IS UNPUBLISHED. RELEASED FOR PUBLICATION
 © COPYRIGHT - By - ALL RIGHTS RESERVED.

LOC		DIST		REVISIONS					
GP		00		P	LTR	DESCRIPTION	DATE	DWN	APVD
				R		REVISED PER ECO-11-006475	18OCT2011	CJV	CWR



- 1 PLUG ACCEPTS SIZE 20 DF PIN CONTACTS. CONTACTS MUST BE PURCHASED SEPARATELY.
- 2. ALL PARTS SHIPPED UNASSEMBLED.
- 3 FLAME RETARDANT 94V-0 RATED, STYRENE POLYOLEFIN OR PVC, COLOR: BLACK.
- 4 FLAME RETARDANT 94V-0 RATED, GLASS FILLED NYLON OR POLYESTER, COLOR: BLACK.
- 5 STEEL PER ASTM A109.
- 6 .000200 MIN TIN PLATE OVER .000100 MIN COPPER UNDERPLATE.
- 7 COMPONENTS INDIVIDUALLY BULK PACKED.
- 8 ZINC ALLOY.
- 9 ELECTRODEPOSITED POLYURETHANE, BLACK.

7	W/ LOGOS	1658657-1
PACKAGING	REMARKS	PART NO

THIS DRAWING IS A CONTROLLED DOCUMENT.		DWN	J.REITZEL	31JUL03		TE Connectivity		
DIMENSIONS: INCHES		CHK	S.BOLASH	31JUL03		NAME		
		APVD	M.WALMSLEY	31JUL03		KIT, PLUG, SHIELDING ENCLOSURE, SIZE 2, 15 POSN, AMPLIMITE™ HDP-20		
TOLERANCES UNLESS OTHERWISE SPECIFIED:		PRODUCT SPEC		APPLICATION SPEC				
0 PLC ± -		108-40030		SIZE			RESTRICTED TO	
1 PLC ± -		114-40030		CAGE CODE		DRAWING NO		
2 PLC ± -		WEIGHT		A2 00779		SCALE	2:1	
3 PLC ± .020		CUSTOMER DRAWING		C=1658657		SHEET	1 of 1	
4 PLC ± -						REV	R	
ANGLES ± -								
FINISH								
MATERIAL								
3 4 5 8								
6 9								

1658657