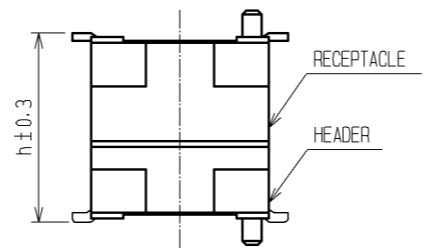


NOTES 1 LEAD CO-PLANARITY INCLUDE REINFORCED METAL FITTINGS SHALL BE 0.1mm MAX .
 2 WHEN A PART MARKED WITH HAS A PATTERN BUT NO RESIST ON IT. TAKE CARE TO PREVENT THE CONNECTOR FROM TOUCHING IT.

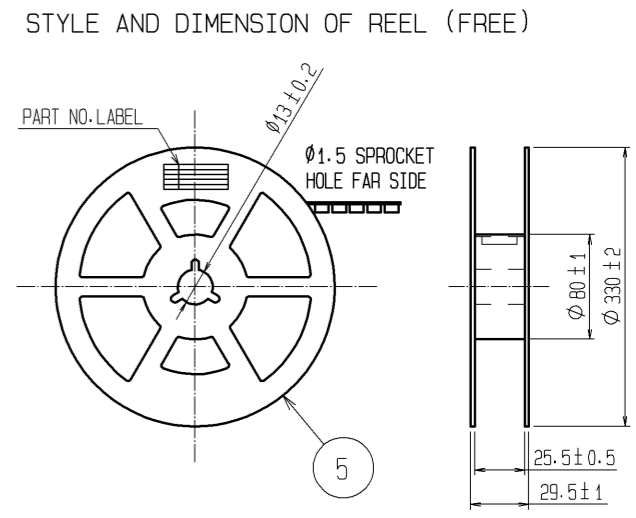
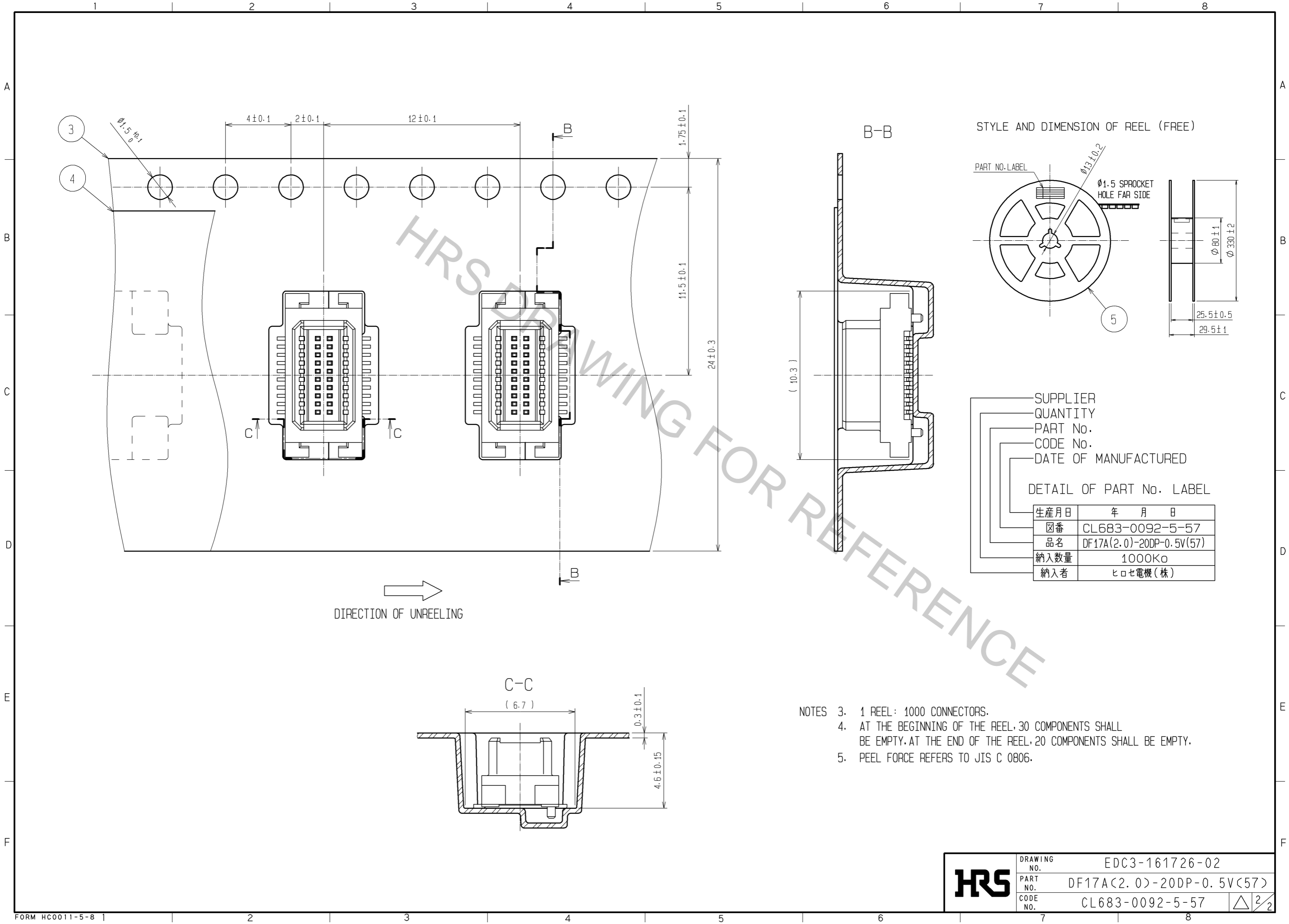
MATED HIGHT (h)	(mm)	
HEADER NO.	RECEPTACLE NO.	
DF17A(2.0)-20DP-0.5V(57)	DF17*(3.0)-20DS-0.5V(57)	DF17*(4.0)-20DS-0.5V(57)
	5	6



NO.	MATERIAL	FINISH . REMARKS	NO.	MATERIAL	FINISH . REMARKS
1	PHOSPHER BRONZE	CONTACT AREA:GOLD PLATED 0.1#m min LEAD AREA:TIN PLATED 1#m min UNDER PLATING:NICKEL PLATED 1#m min	5	PS	BLACK (PLASTIC REEL)
			4	POLYESTER	CLEAR (COVER TAPE)
			3	A-PET	CLEAR (EMBOSSD CARRIER TAPE)
			2	POLYAMIDE (PA6T)	WHITE BEIGE , UL94V-0

UNITS	SCALE	COUNT	DESCRIPTION OF REVISIONS	DESIGNED	CHECKED	DATE
mm	5 : 1	△	APPROVED : KH. IKEDA 08.09.11 CHECED : AR. TAKAHASHI 08.09.11 DESIGNED : TY. YAMASAKI 08.07.28 DRAWN : TY. YAMASAKI 08.07.28			

DRAWING NO.	PART NO.	CODE NO.
EDC3-161726-02	DF17A(2.0)-20DP-0.5V(57)	CL683-0092-5-57



SUPPLIER
QUANTITY
PART No.
CODE No.
DATE OF MANUFACTURED

DETAIL OF PART No. LABEL

生産月日	年 月 日
図番	CL683-0092-5-57
品名	DF17A(2.0)-20DP-0.5V(57)
納入数量	1000K ϕ
納入者	ヒロセ電機(株)

- NOTES
- 1 REEL: 1000 CONNECTORS.
 - AT THE BEGINNING OF THE REEL, 30 COMPONENTS SHALL BE EMPTY. AT THE END OF THE REEL, 20 COMPONENTS SHALL BE EMPTY.
 - PEEL FORCE REFERS TO JIS C 0806.

HRS	DRAWING NO.	EDC3-161726-02	
	PART NO.	DF17A(2.0)-20DP-0.5V(57)	
	CODE NO.	CL683-0092-5-57	\triangle 2/2