

PART NUMBER
8609-M31-XX-CX

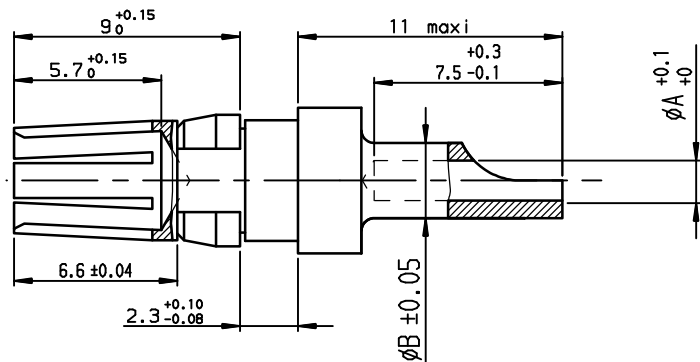
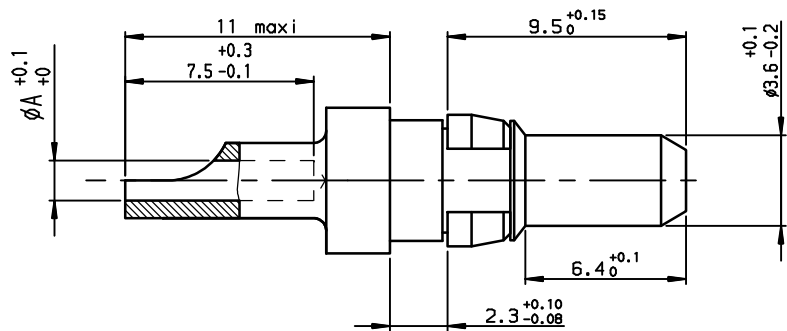
PART NUMBER
8609-F31-XX-CX

TERMINATION	DIMENSION A	CURRENT RATING AT 20°C
01	1.70	10 A
02	2.80	20 A
03	3.50	30 A
04	4.80	40 A

PLATING	THICKNESS
C0	NICKEL (all area)
C1	0.8µ AU (mating area)
C4	1.5µ AU (mating area)

TERMINATION	DIMENSION A	CURRENT RATING AT 20°C	DIMENSION B
01	1.70	10 A	2.54
02	2.80	20 A	3.63
03	3.50	30 A	-
04	4.80	40 A	5.60

PLATING	THICKNESS
C0	NICKEL (all area)
C1	0.8µ AU (mating area)
C4	1.5µ AU (mating area)



Copyright FCI.

TECHNICAL CHARACTERISTICS:

- INSERTION / WITHDRAWAL FORCE : ≤ 10 N
- CONTACT RESISTANCE : < 1 mΩ under 10 A

OTHER CHARACTERISTICS: SEE INSERTS ACCORDING TO DIN 41626

rev	ecn no	dr	date
C	LS06-0073	PCR	2006/05/05
D	LS06-0097	LGO	2006/07/11
-	-	-	-
-	-	-	-
-	-	-	-
-	-	-	-

www.fciconnect.com		surface ISO 1302 ✓	tolerance std ISO 406 ISO 1101	projection mm
TOLERANCES UNLESS OTHERWISE SPECIFIED				
Dr	ROUILLARD	1992/10/08	ANGULAR	0.x ±0.1
Eng	ROUILLARD	1992/10/08	LINEAR	0.xx ±0.1
Chr	LEGARE	1992/10/08	0.xx' ±2'	0.xxx ±0.1
Appr	LEGARE	1992/10/08	Product family	DIN 8609
title MALE AND FEMALE POWER CONTACTS			size A3	Scale 5
SOLDER TO CABLE			ECN LS06-0097	Spec ref -
catalog no -			Eng no C-8609-0335	Rev. D
			CUSTOMER	sheet 1 of 1