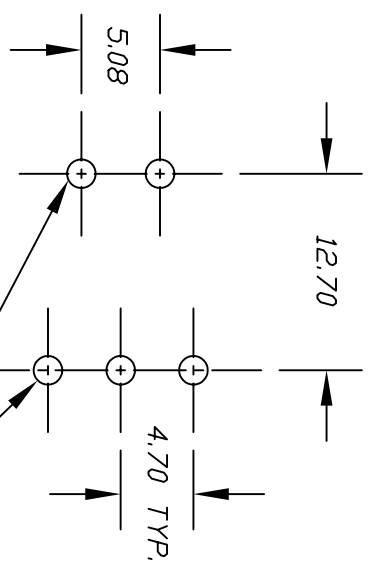
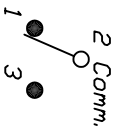
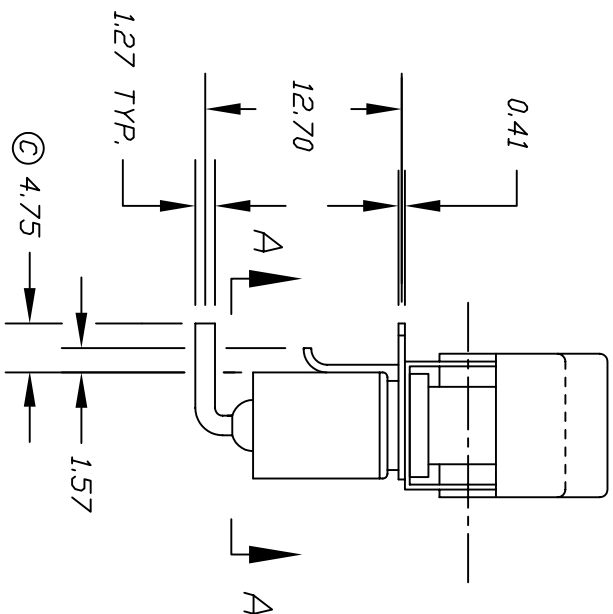
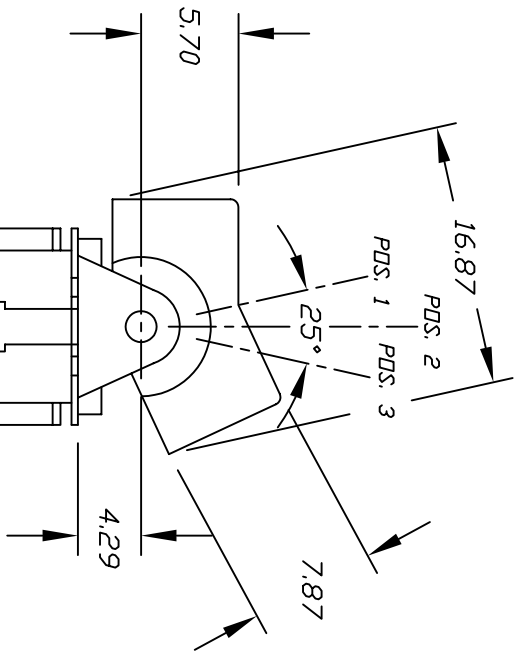


VIEW A-A

NOTE:
CONTACTS & BRACKET
CROPPED FOR CLARITY



RECOMMEND P.C.B. LAYOUT



CIRCUIT: SPDT
CONTACT CONFIGURATION

SWITCH FUNCTION		
POS. 1	POS. 2	POS. 3
<DN>	DNF	<DN>
2-3	OPEN	2-1

()=Momentary

- NOTES:
1. ALL DIMENSIONS IN MM
 2. TERM NUMBERS FOR REFERENCE ONLY
 3. RATING: 5A @250VAC OR 28VDC
 4. TOLERANCES: XX±0.4
X.XX±0.25

C	15420	CHANGES NOTED WERE 318,2,36	10/20/05	PH
B		REVISED & REDRAWN	7/23/97	
REV.	ECN	DESCRIPTION	DATE	CHK

TITLE		300 SP-4 J1 M6 Q E		SCALE	2:1	DATE	6/6/96	DR	MM	DWG	T314000	REV	C
E-SWITCH®													

THE INFORMATION CONTAINED IN THIS DOCUMENT IS PROPRIETARY TO E-SWITCH AND IS NOT TO BE COPIED OR TRANSMITTED