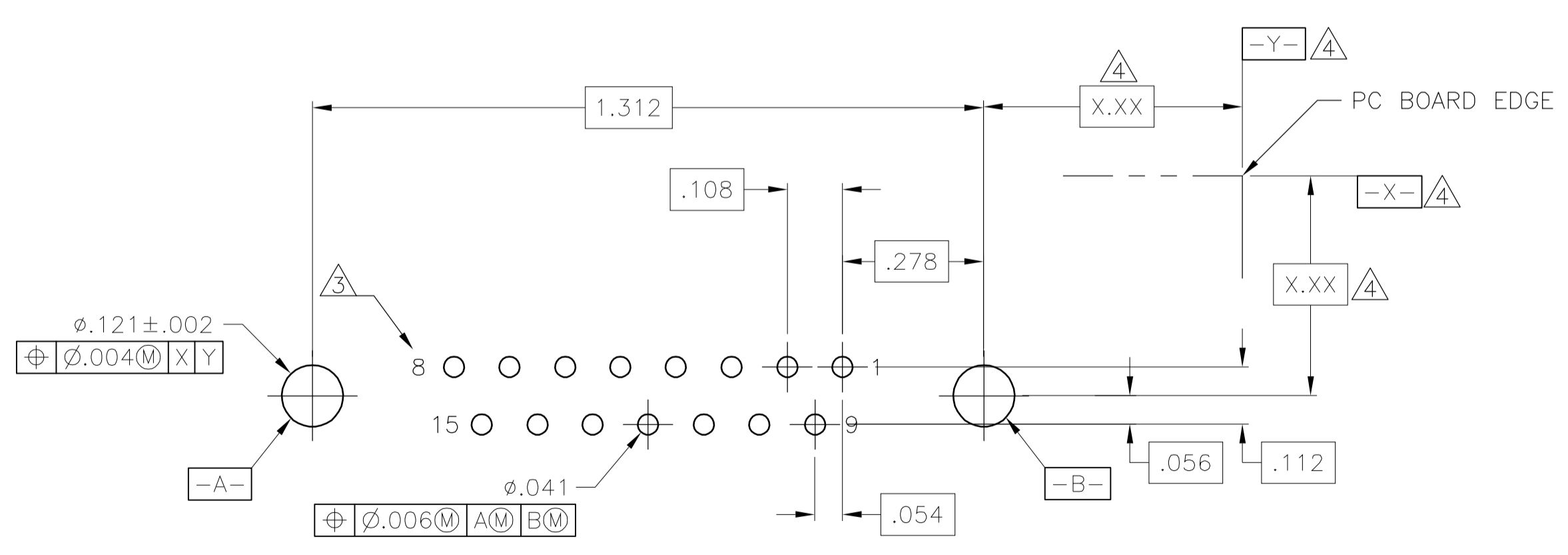
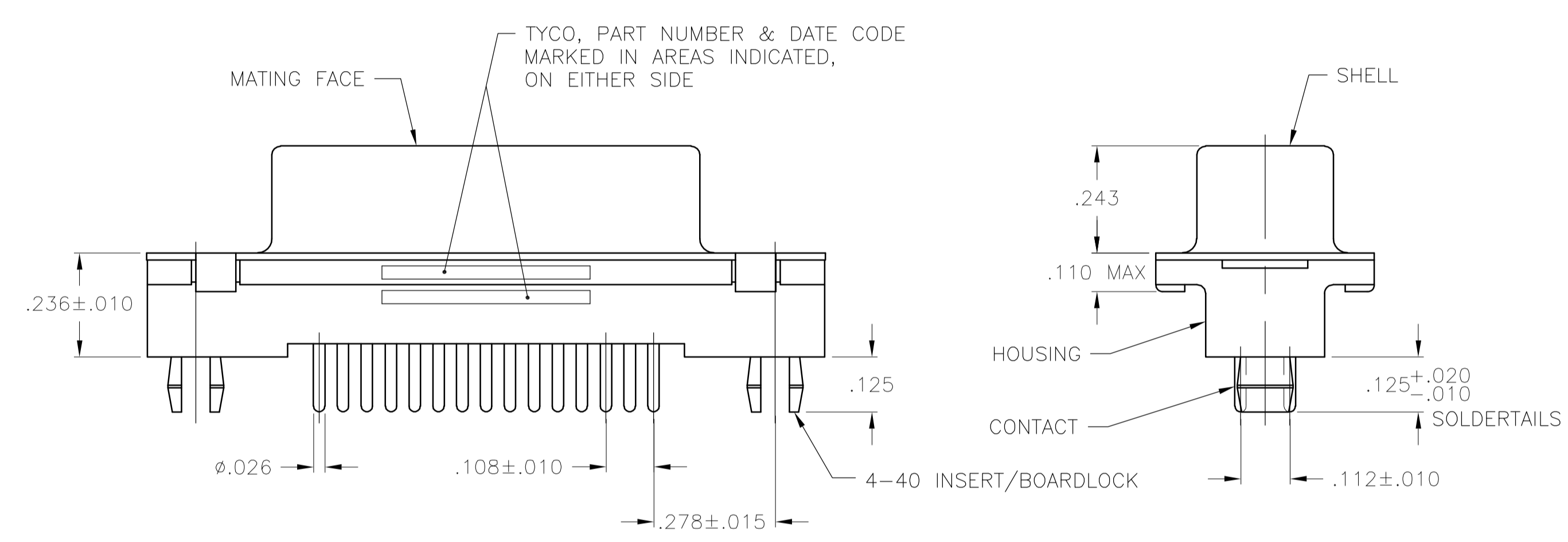


- ⚠ HOUSING: FLAME RETARDANT THERMOPLASTIC, 94V-0 RATED, COLOR BLACK.
SHELL: CARBON STEEL.
CONTACTS: PHOSPHOR BRONZE.
INSERT/BOARDLOCKS: BRASS.
- ⚠ SHELL: 0.00508[.000200] MIN TIN OVER 0.00254[.000100] MIN COPPER.
CONTACTS: 0.00076[.000030] MIN GOLD ON MATING END, 0.00254[.000100] MIN TIN ON SOLDER END, ALL OVER 0.00076[.000030] MIN NICKEL ON ENTIRE CONTACT.
INSERT/BOARDLOCKS: 0.00381[.000150] MIN TIN OVER 0.00254[.000100] MIN COPPER.
- ⚠ POSITION NUMBERS SHOWN FOR REFERENCE ONLY.
- ⚠ DATUMS AND BASIC DIMENSIONS TO BE ESTABLISHED BY CUSTOMER.



RECOMMENDED PC BOARD LAYOUT
 .062 PC BOARD
 (VIEWED FROM CONNECTOR SIDE)

2-5747707-0
 PART NUMBER

THIS DRAWING IS A CONTROLLED DOCUMENT.		DIN J.GERACE 18FEB05		Tyco Electronics Corporation Harrisburg, PA 17105-3608	
DIMENSIONS: mm		CHK S.BOLASH 18FEB05		NAME	
TOLERANCES UNLESS OTHERWISE SPECIFIED:		APP'D M.WALMSLEY 18FEB05	PRODUCT SPEC		
0 PLC ± -		108-40025			
1 PLC ± -		APPLICATION SPEC			
2 PLC ± -		114-40023			
3 PLC ± 0.13(.005)		SIZE CAGE CODE DRAWING NO			
4 PLC ± -		A1 00779 C=5747707			
ANGLES ± -		RESTRICTED TO			
FINISH		WEIGHT			
MATERIAL		CUSTOMER DRAWING			
		SCALE 4:1		SHEET 1 OF 1 REV A1	