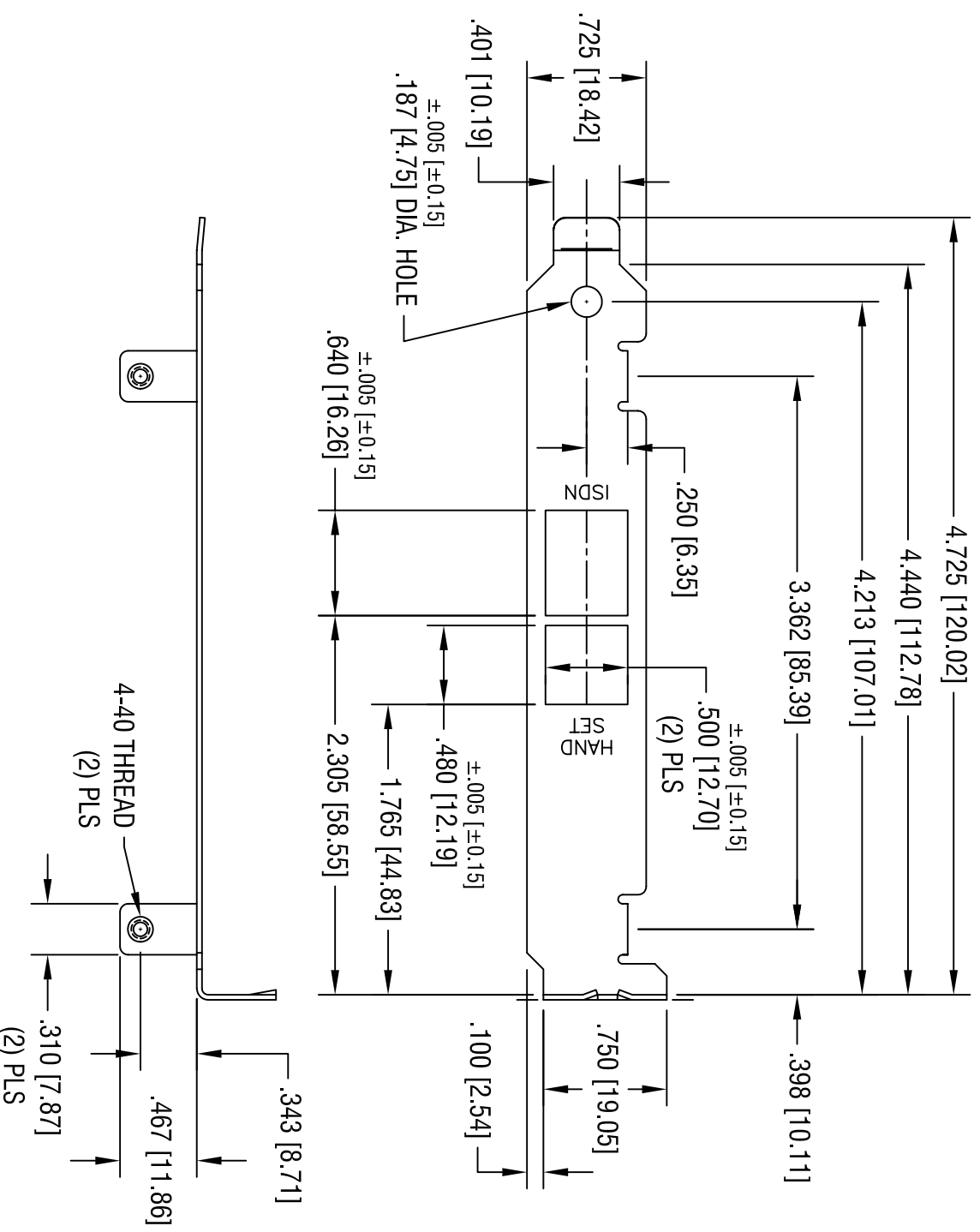


DATE	DESCRIPTION	REV.



KEYSTONE ELECTRONICS CORP.
ASTORIA, N.Y. 11105-2017

PART NAME: **COMPUTER BRACKET**

MATERIAL: **.032 [0.81] THK STEEL**

FINISH: **NICKEL PLATE**

TOLERANCES	INCH	[MM]	CODE	DWG NO.
DECIMAL	± .015	[± 0.38]	C	9203-1
ANGULAR	± 1°			
UNLESS OTHERWISE SPECIFIED				

THIS DOCUMENT IS THE PROPERTY OF KEystone ELECTRONICS CORP. AND SHALL NOT BE REPRODUCED, DISTRIBUTED OR USED AS A BASIS FOR MANUFACTURE WITHOUT PRIOR WRITTEN PERMISSION FROM KEystone ELECTRONICS CORP.

DRN BY: **BOONE** DATE: **6.15.98**
App'd: **LN** SCALE: **1X**