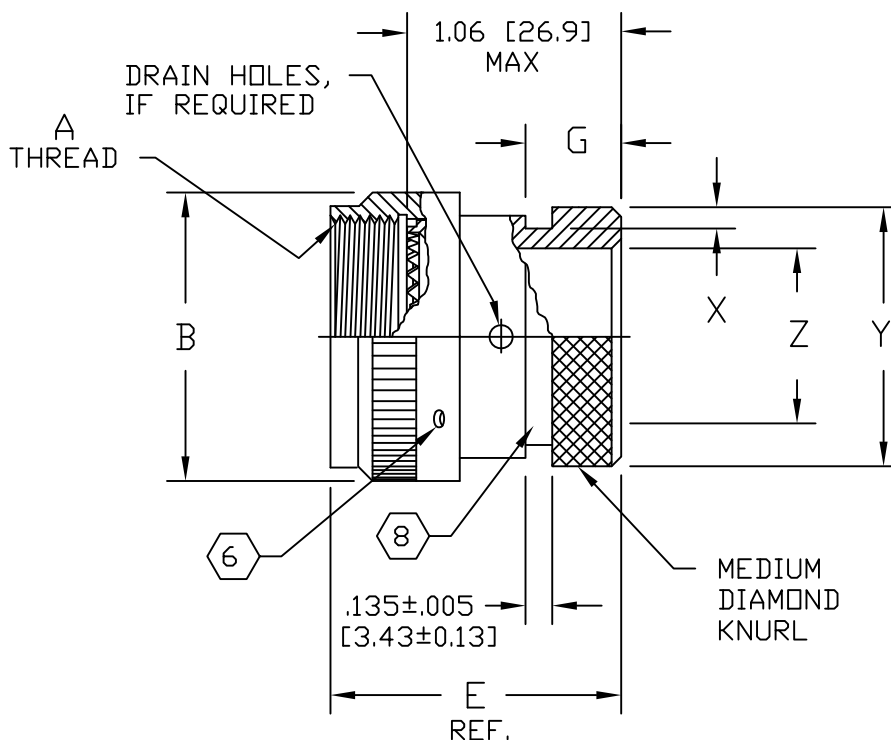


REVISIONS			
LTR	DESCRIPTION	DATE	APPROVED
J	REVISED PER ECN AD93014		
J1	REVISED PER ECN 0-12-011625	6/21/12	K. YEE

If this document is printed it becomes uncontrolled. Check for the latest revision




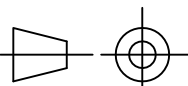
NOTES:

- THIS PRODUCT IS DESIGNED TO TERMINATE A HEAT SHRINKABLE LIPPED BOOT TO A CONNECTOR.
- FOR ADDITIONAL DIMENSIONS, ORDERING INFORMATION AND MODIFICATIONS, SEE CH00-0250-004.
- ADAPTER TO BE PERMANENTLY MARKED WITH CODE IDENT. NO. AND PART NO. (E.G.: 06090-201M112-19A).
- ADAPTER MATES TO MIL-C-81703, SERIES III, MS3424, MS3446, MS3464, MS3467, MS3468, CLASS E & L.
- ADAPTER MATES TO MIL-C-5015G, MS3400 SERIES, CLASS D, E, K, L, U & W; MS3400, MS3401, MS3404, MS3406, MS3450, MS3451, MS3454, MS3456, MS3470, MS3471, MS3472, MS3474, MS3475, MS3476. MIL-C-83723, SERIES II, CLASS A & L. MIL-C-83723, SERIES I & III, CLASS A, G, K, R & S; M83723/1, /2, /3, /4, /5, /6, /7, /8, /13, /14, /36, /37, /38, /39, /40, /41, /42, /43, /48, /49, /65, /66, /67, /68, /69, /70, /71, /72, /73, /74, /75, /76, /77, /78, /82, /83, /84, /85, /86, /87, /91, /92, /95, /97, /98, (MS3155 CONTROLLED INTERFACE).
- WHEN "L" MODIFICATION IS SPECIFIED, COUPLING NUT SHALL HAVE 3 LOCK WIRE HOLES, 120° APART. 120° APART.
- THIS PRODUCT IS A FUNCTIONAL EQUIVALENT OF MIL-C-85049/60-1.
- KNURL INSIDE BOOT GROOVE MAY BE SUPPLIED AT MANUFACTURER'S OPTION.

Raychem Adapters

CUSTOMER DRAWING

©2012 Tyco Electronics Corporation. All rights reserved.

UNLESS OTHERWISE SPECIFIED DIMENSIONS ARE IN INCHES. METRIC DIMENSIONS ARE IN BRACKETS.	DRAWN R. RAMIREZ	DATE 03-18-93	 TE Connectivity			
	CHECKED	DATE				
DIMENSIONING AND TOLERANCING PER ASME Y14.5M (ISO STANDARDS)	APPROVED W. C. GAY	DATE 05-19-93	TITLE ADAPTER, SPIN COUPLING CODE 54			
	APPROVED	DATE				
DECIMALS .XXX ± [mm] .XX ± [mm] .X ± [mm] ANGLES .X ±	CAD NAME 201M1XX_J1.dwg		SIZE A	CODE IDENT. NO. 06090	DWG. NO. 201M1XX	REV J1
	THIRD ANGLE PROJECTION 		DO NOT SCALE THIS DWG		SHEET 1 OF 2	

BASE PART NO.	SHELL SIZE		A THREAD CLASS 2B	B MAX DIA	Y	X	E REF. DIM	Z	G
	4	5			+0.00 -0.20 [+0.00] [-0.51] DIA	+0.008 -0.00 [+0.20] [-0.00] DIM		MIN DIA	MAX DIM
201M103	3		.562-24 UNEF	.669 [16.99]	.533 [13.54]	.044 [1.12]	1.125 [28.58]	.250 [6.35]	.425 [10.80]
201M108		8 & 8S	.500-20 UNF	.617 [15.67]	.533 [13.54]	↑	↑	.250 [6.35]	↑
201M110		10, 10S & 10SL	.625-24 UNEF	.734 [18.64]	.605 [15.37]	↑	↑	.355 [9.02]	↑
201M112	7	12 & 12S	.750-20 UNEF	.858 [21.79]	.774 [19.66]	↑	↑	.491 [12.47]	↑
201M114	12	14 & 14S	.875-20 UNEF	.984 [24.99]	.838 [21.29]	↑	↑	.565 [14.35]	↑
201M116	19	16 & 16S	1.000-20 UNEF	1.112 [28.24]	.963 [24.46]	↓	↑	.690 [17.53]	↑
201M118	27	18	1.062-18 UNEF	1.218 [30.94]	1.042 [26.47]	.044 [1.12]	↑	.769 [19.53]	↑
201M120	37	20	1.188-18 UNEF	1.345 [34.16]	1.217 [30.91]	.069 [1.75]	↑	.894 [22.71]	↑
201M122		22	1.312-18 UNEF	1.468 [37.29]	1.355 [34.42]	↑	↓	1.019 [25.88]	↑
201M124		24	1.438-18 UNEF	1.593 [40.46]	1.443 [36.65]	↓	1.125 [28.58]	1.134 [28.80]	↓
201M128		28	1.750-18 UNS	1.969 [50.01]	1.709 [43.41]	.069 [1.75]	1.287 [32.69]	1.369 [34.77]	.425 [10.80]
201M132		32	2.000-18 UNS	2.219 [56.36]	1.919 [48.74]	.086 [2.18]	1.449 [36.80]	1.615 [41.02]	.587 [14.91]
201M136		36	2.250-16 UN	2.469 [62.71]	2.169 [55.09]	↑	↑	1.830 [46.48]	↑
201M140		40	2.500-16 UN	2.719 [69.06]	2.402 [61.01]	↑	↑	2.045 [51.94]	↑
201M144		44	2.750-16 UN	2.969 [75.41]	2.657 [67.49]	↓	↓	2.300 [58.42]	↓
201M148		48	3.000-16 UN	3.219 [81.76]	2.907 [73.84]	.086 [2.18]	1.449 [36.80]	2.550 [64.77]	.587 [14.91]
201M161	61		1.500-18 UNEF	1.653 [41.99]	1.443 [36.65]	.069 [1.75]	1.125 [28.58]	1.174 [29.82]	.425 [10.80]

Raychem Adapters
CUSTOMER DRAWING

If this document is printed it becomes uncontrolled. Check for the latest revision

SIZE	CODE IDENT. NO.	DWG. NO.	REV
A	06090	201M1XX	J1
DO NOT SCALE THIS DWG	CAD NAME 201M1XX_J1.dwg	SHEET 2	OF 2