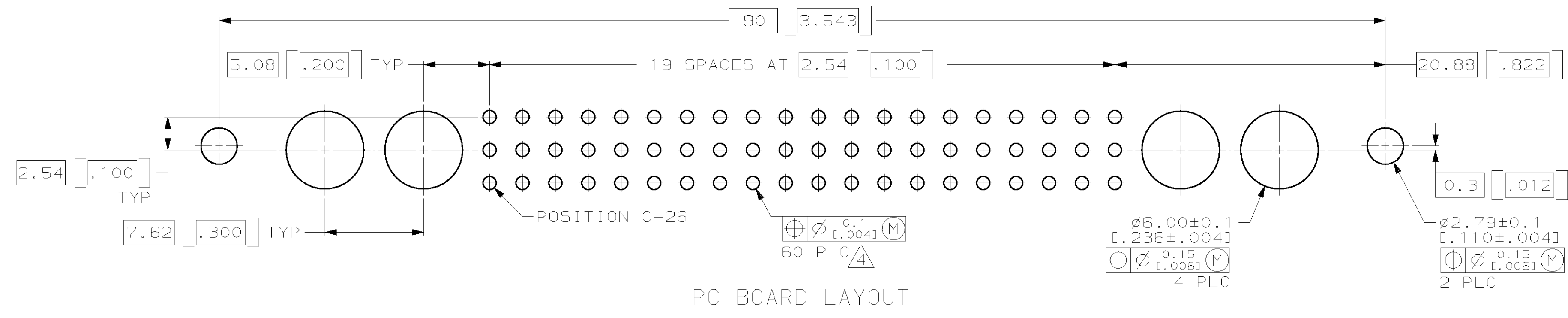
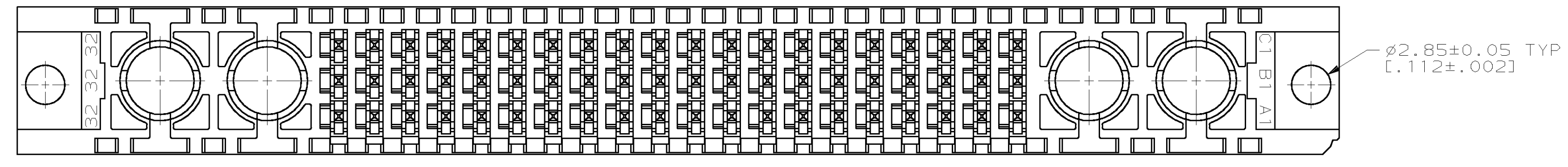
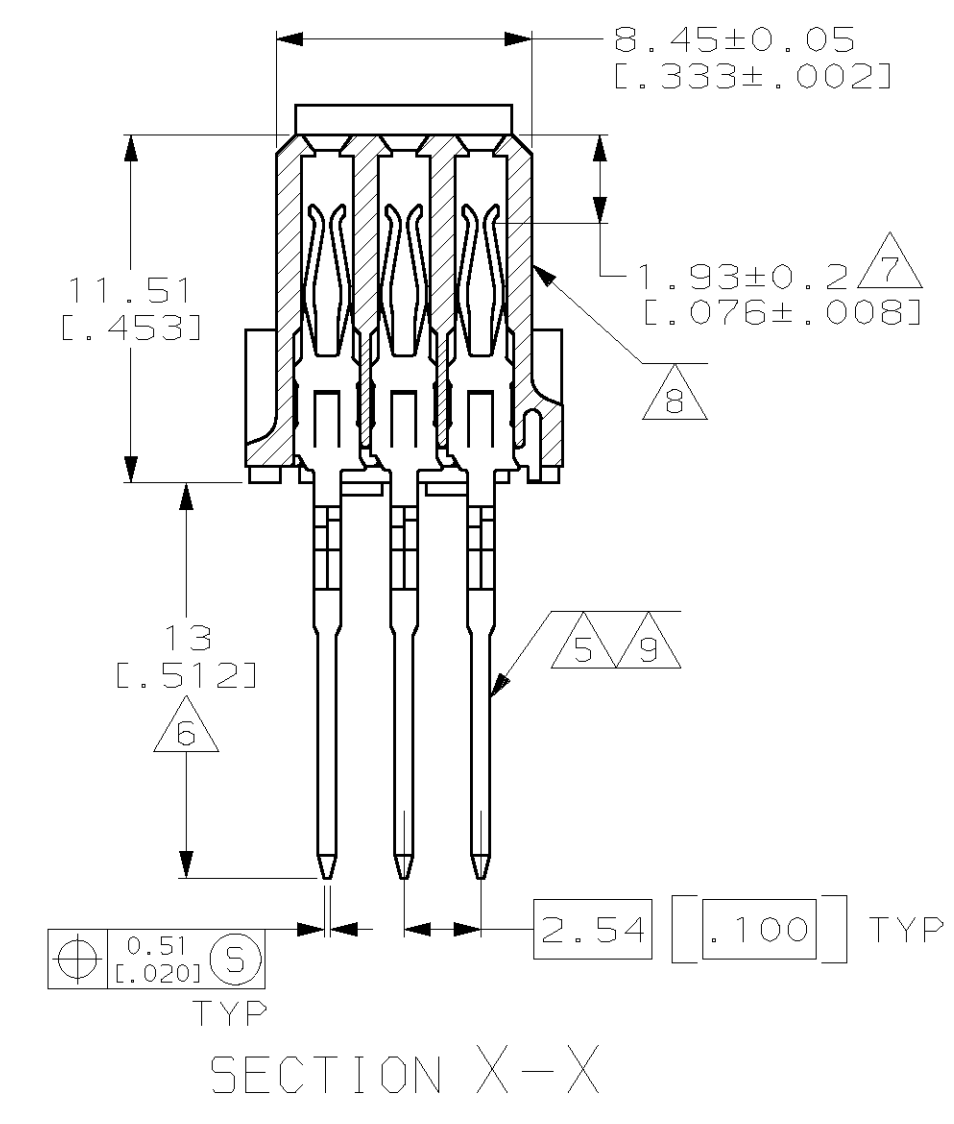
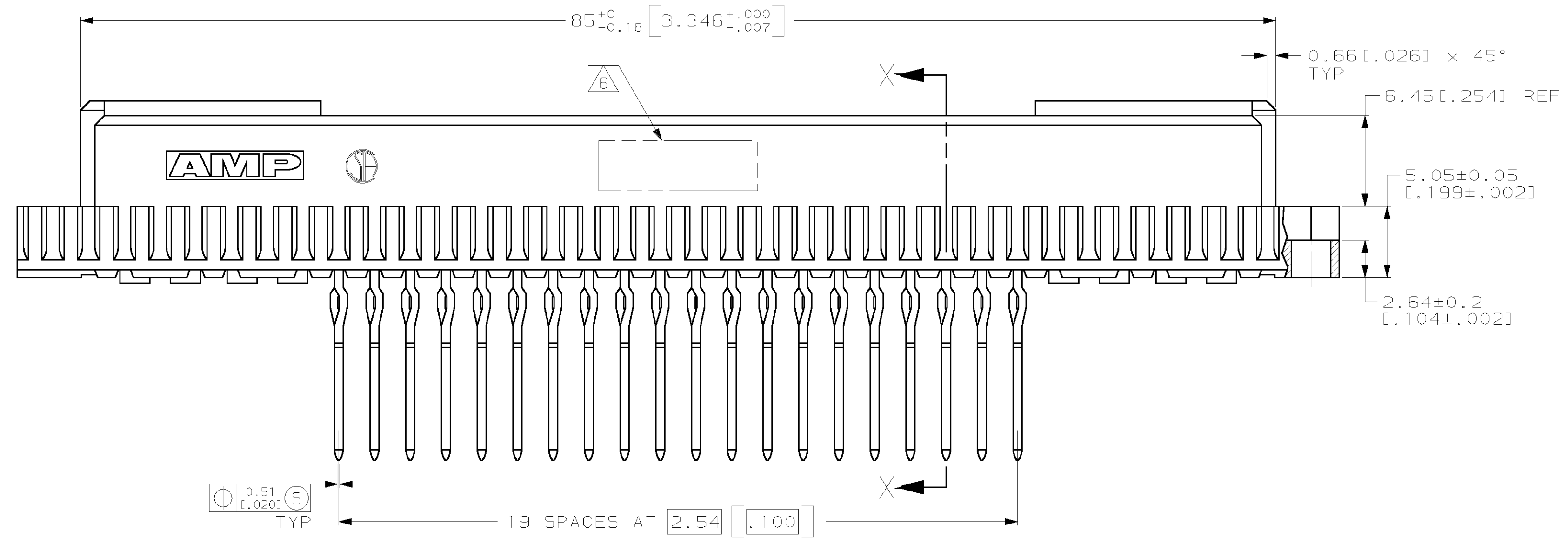
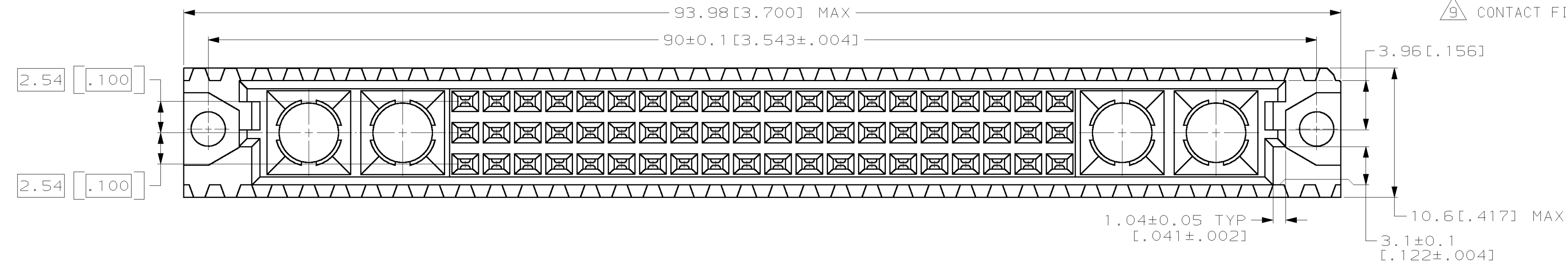


REVISIONS		DATE	OWN	APPROV
AD	25			
0	DRAWN	-	-	-
A	REV PER EC 0621-80-99	06 APR 99	BC	CR

- ① HOUSING MATERIAL: GLASS-FILLED POLYESTER. COLOR: GRAY.
- ② CONTACT MATERIAL: PHOSPHOR BRONZE.
- ③ PART NUMBER AND DATE CODE HOT STAMPED IN THIS APPROXIMATE AREA.
- ④ ACTION PIN POSTS REQUIRE 1.57[.062] MINIMUM THICK PC BOARD. RECOMMENDED PC BOARD DRILLED HOLES ARE  $\phi 1.151 \pm 0.025$ [.0453 $\pm$ .0010] WITH 0.02-0.08[.001-.003] COPPER AND 0.008[.0003] MINIMUM TIN-LEAD PLATING. FINISHED HOLES AFTER PLATING  $\phi 1.02 \pm 0.08$ [.040 $\pm$ .002].
- ⑤ CONTACT FINISH: DIN 41612 CLASS 2 IN CONTACT AREA. TIN-LEAD PLATE ON POSTS.
- ⑥ TAIL LENGTH AFTER SEATED IN PC BOARD.
- ⑦ CONTACT POINT AFTER SEATED IN PC BOARD.
- ⑧ HOT STAMPING ON THIS SIDE.
- ⑨ CONTACT FINISH: DIN 41612 CLASS 2 IN CONTACT AREA AND LAST 5.08[.200] OF POST.



⑨	1-148421-5
⑤	148421-5
PART NUMBER	

THIS DRAWING IS A CONTROLLED DOCUMENT.		DWN	L. BRINER	10/1/97	AMP Incorporated Harrisburg, PA 17105-3608
DIMENSIONS:		CHK	R. PATTERSON	10/1/97	
TOLERANCES UNLESS OTHERWISE SPECIFIED:		APPROV	R. PATTERSON	10/1/97	NAME RECEPTACLE ASSEMBLY, EUROCARD, TYPE M, 60 + 4 POSITION
mm		PRODUCT SPEC			
0 PLC ±		APPLICATION SPEC			SIZE
1 PLC ±		CUSTOMER DRAWING			
2 PLC ±0.13(.005)		WEIGHT			SCALE 4:1
3 PLC ±		SHEET 1 OF 1			
4 PLC ±		REV A			
MATERIAL		CUSTOMER DRAWING			DRAWING NO A1 00779-148421
HOUSING: ①		SCALE 4:1			
POST: ②		SHEET 1 OF 1			REV A
FINISH: ③		SCALE 4:1			