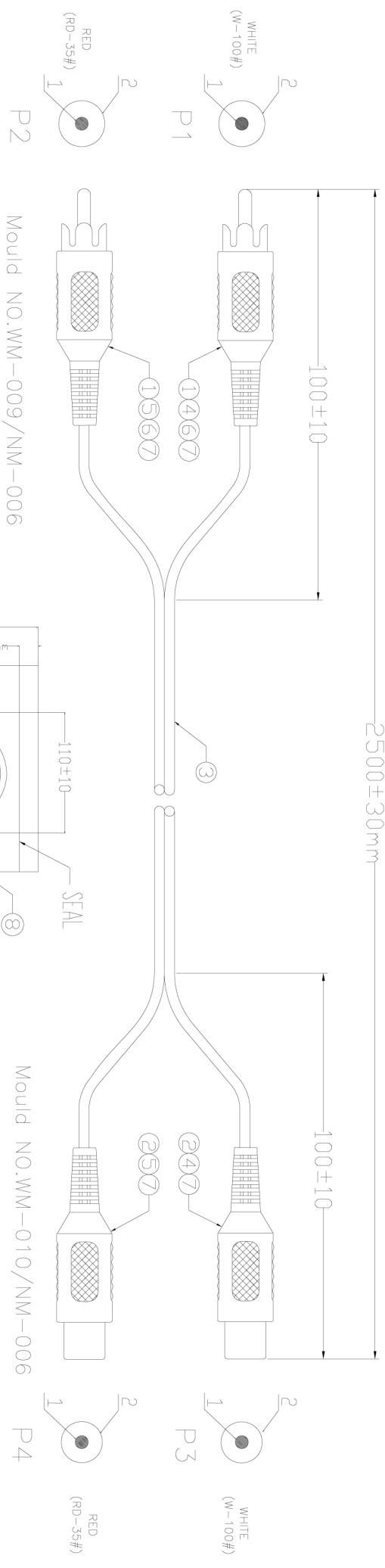
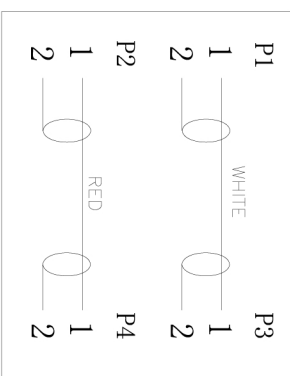


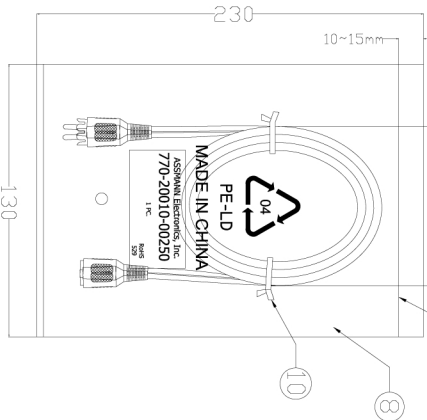
Units: mm



PIN ASSIGNMENT:



Electrical test:
 1. 100% short, open, miswire test
 2. Conduct resistance: 2 Ohm(max)
 3. Insulation resistance: 5Mohm(min)
 4. dielectric test: DC 300V



NOTE:
 1. 小PE袋大PE袋对应料号, 包装袋数量及时间印刷样式:

 2. 外箱两个侧面ITEM NO后面各贴一个35*22mm ROHS标签。

⑩	TIE	2	BLACK L=80mm
⑨	PE BAG	1/10	CLEAR SIZE: 280*330*0.05mm PRINT BLACK"MADE IN CHINA"+"10PCS"
⑧	PE BAG	1	CLEAR SIZE: 130*230*0.05mm PRINT BLACK"MADE IN CHINA"+"1PC"
⑦	TUBE	4	HEAT SHRINK TUBE BLACK OD1.5*10mm
⑥	IN JACKET	3.2g	CLEAR LD-PE(Mould NO.NM-006)
⑤	OUT JACKET	6.6g	PVC-40P RED(RD-35)
④	OUT JACKET	6.6g	PVC-40P WHITE(W-100)
③	CABLE	1	NOUL (10/0.10+28/0.10)*2F JACKET BLACK OD2.8*5.6mm
②	CONN	2	RCA PLUG FEMALE NI-PLATED INSULATOR COLOR: BROWN
①	CONN	2	RCA PLUG MALE BLOSSOM TYPE NI-PLATED INSULATOR COLOR: BROWN
NO.	NAME	QTY	SPECIFICATION

CNC Tech, LLC

Industrial Cable and Connector Technology

DRAWN BY	LICHENG	DRAWING NO.	VG/LJQ-094-081-D
CHECKED BY		CUSTOMER	CNC
APPROVAL BY		ITEM NO.	770-20010-00250
DECIDE BY		DATE	2012-12-28
VERSIONS/EDITEON	A/0	PROJECTION	