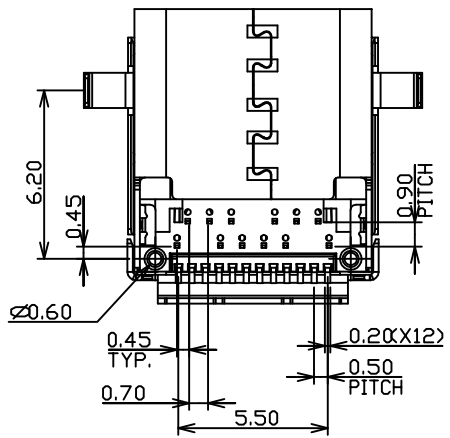
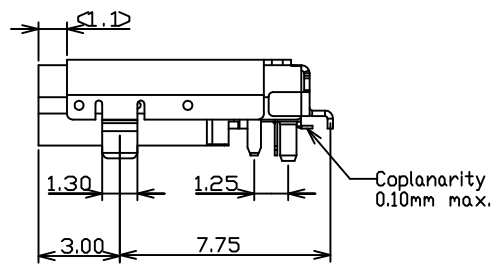
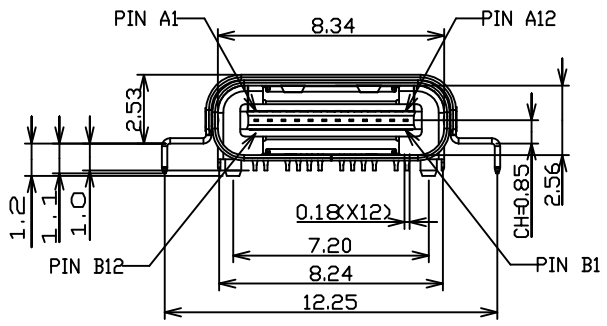
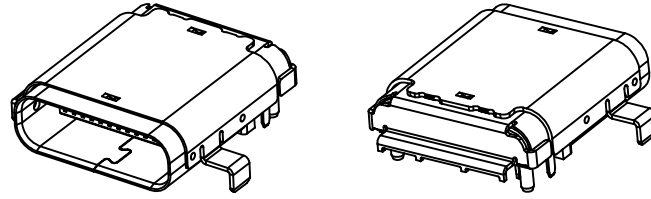
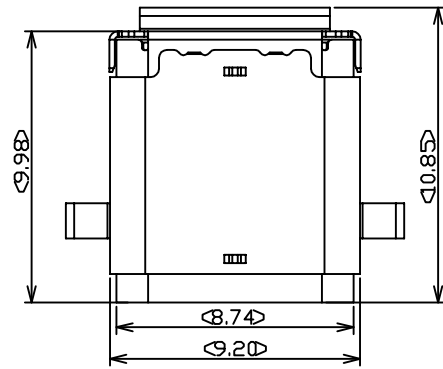


REVISION RECORD		
REV	DESCRIPTION	DRFT



NOTES:

ELECTRICAL CHARACTERISTICS:

1. LOW LEVEL CONTACT RESISTANCE:
INITIAL: 40mΩ FOR ALL CONTACT MAX.
AFTER : 10mΩ MAX. CHANGE.
2. DIELECTRIC WITHSTANDING VOLTAGE:
100 VAC FOR 1 MINUTE SEA LEVEL.
3. INSULATION RESISTANCE:
100MΩ MIN.
4. CURRENT RATING:
VBUS AND GND CONTACTS RATED AT 1.25A EA,
PARALLELED FOR A TOTAL OF 5A.

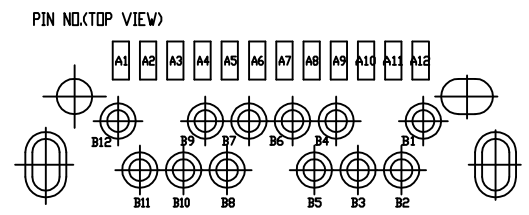
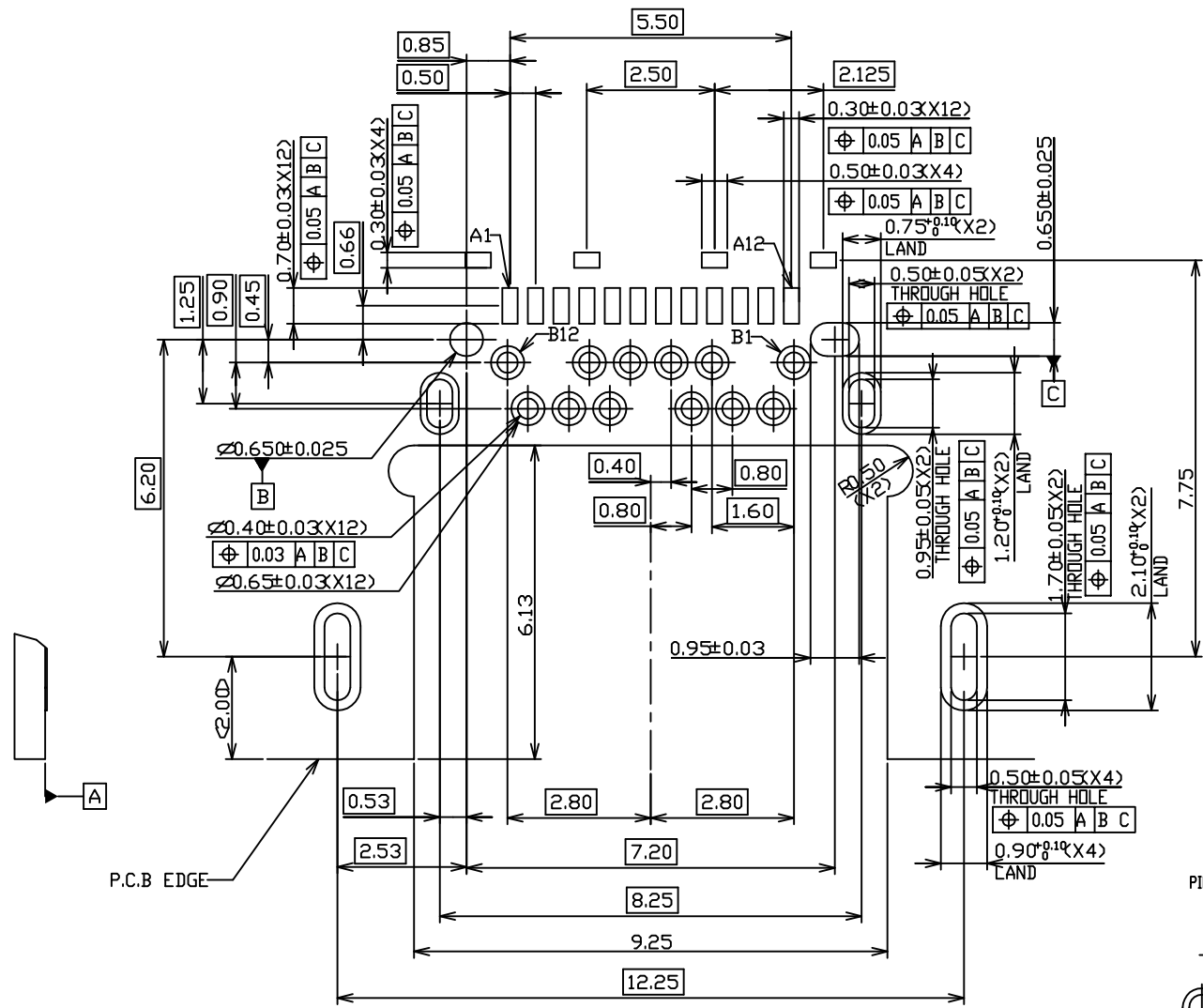
MECHANICAL CHARACTERISTICS:

1. INSERTION FORCE: 20N MAX
2. EXTRACTION FORCE:
DURABILITY 1~1000 CYCLES 8N MIN. 20N MAX.
DURABILITY 1001~10000 CYCLES 6N MIN. 20N MAX.
3. DURABILITY : 10,000 CYCLES
4. PLATING OF CONTACT:
Au 30u" PLATING ON CONTACT AREA.
5. OPERATING TEMPERATURE: -40°C TO +85°

PIN NO.	A1	A2	A3	A4	A5	A6	A7	A8	A9	A10	A11	A12
SIGNAL NAME	GND	SSTXp1	SSTXn1	VBUS	CC1	Dp1	Dn1	SBU1	VBUS	SSRXn2	SSRXp2	GND
PIN NO.	B12	B11	B10	B9	B8	B7	B6	B5	B4	B3	B2	B1
SIGNAL NAME	GND	SSRXp1	SSRXn1	VBUS	SBU2	Dn1	Dp1	CC2	VBUS	SSTXn2	SSTXp2	GND

MM (INCH)		RoHS Compliant		Pulse Electronics	
TOLERANCES EXCEPT AS NOTED					
MM				TITLE	
.0 ± 0.25	±			USB TYPE- C FULL FEATURE CONN.	
.00 ± 0.20	±			RECEPTACLE - MID MOUNT TYPE	
.000 ± 0.10	±				
ANGLES ± 1°		DFTD :	LYNN	DRAWING NO.	CE8124-011-01
THIRD ANGLE PROJECTION		DATE :	06/23/2015	/PART NO.	E8124-011-01
		SCALE :	1:1	DO NOT SCALE DRAWING	SHEET 1 OF 2

REVISION RECORD		
REV	DESCRIPTION	DRFT



RECOMMENDED PCB LAYOUT
THICKNESS IS 0.9mm
TOLERANCE ± 0.05

DETACHED LISTS	MM (INCH)		RoHS Compliant		Pulse Electronics	
	TOLERANCES EXCEPT AS NOTED					
	MM			TITLE		
	.0 ± 0.25		±	USB TYPE- C FULL FEATURE CONN. RECEPTACLE - MID MOUNT TYPE		
.00 ± 0.20		±	DFTD : LYNN		DRAWING NO. CE8124-011-01	SIZE A3
.000 ± 0.10		±	DATE : 06/23/2015		/PART NO. E8124-011-01	REV 0
ANGLES ± 1°		THIRD ANGLE PROJECTION		SCALE : 1:1		DO NOT SCALE DRAWING
SHEET 2 OF 2						