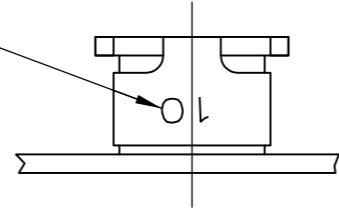


THIS DRAWING IS UNPUBLISHED. RELEASED FOR PUBLICATION  
 © COPYRIGHT BY TYCO ELECTRONICS CORPORATION. ALL INTERNATIONAL RIGHTS RESERVED.

LOC	DIST	REVISIONS			
P	LTR	DESCRIPTION	DATE	DWN	APVD
AF	50	A2	REVISED PER ECR-08-031154	12DEC08	HMR KR

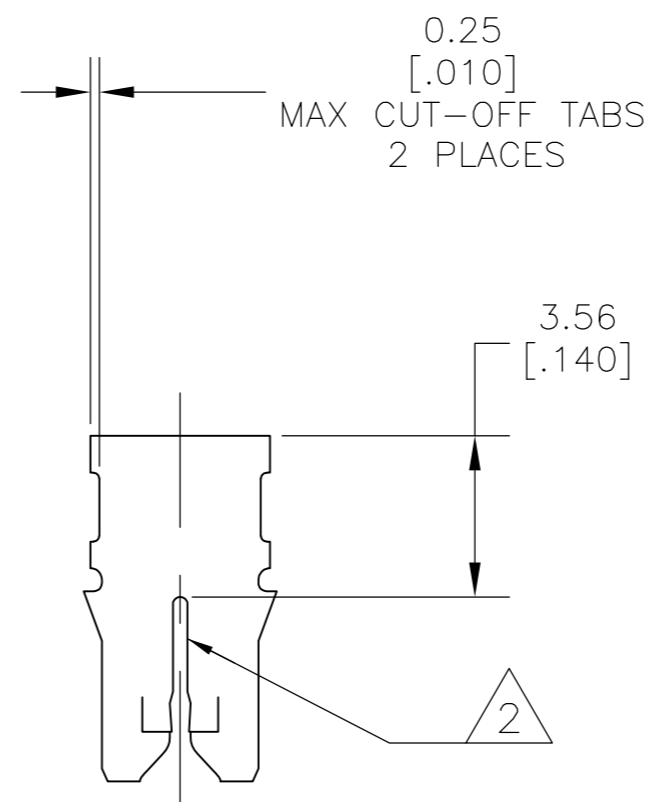
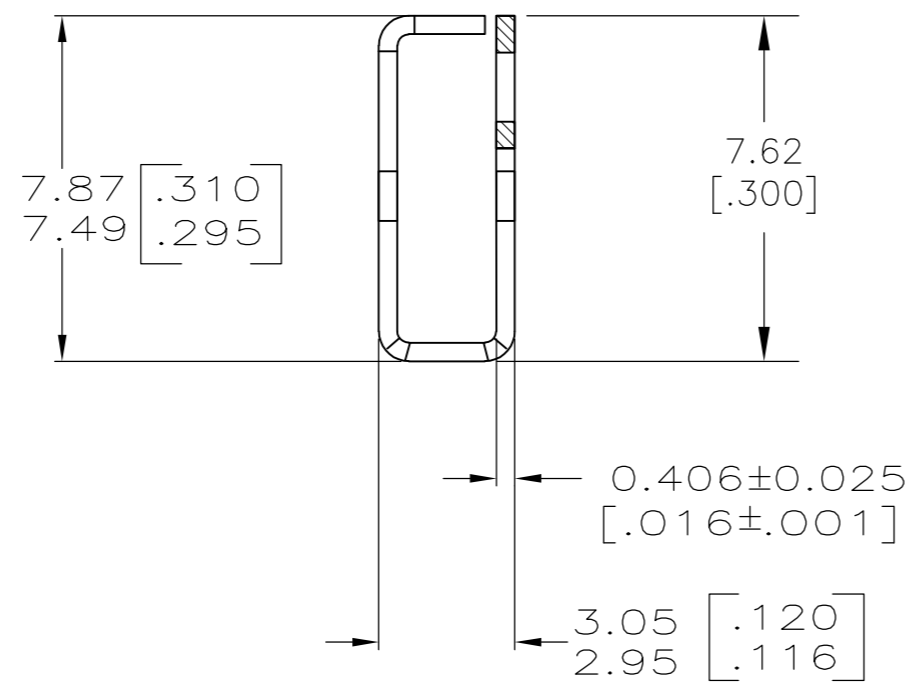
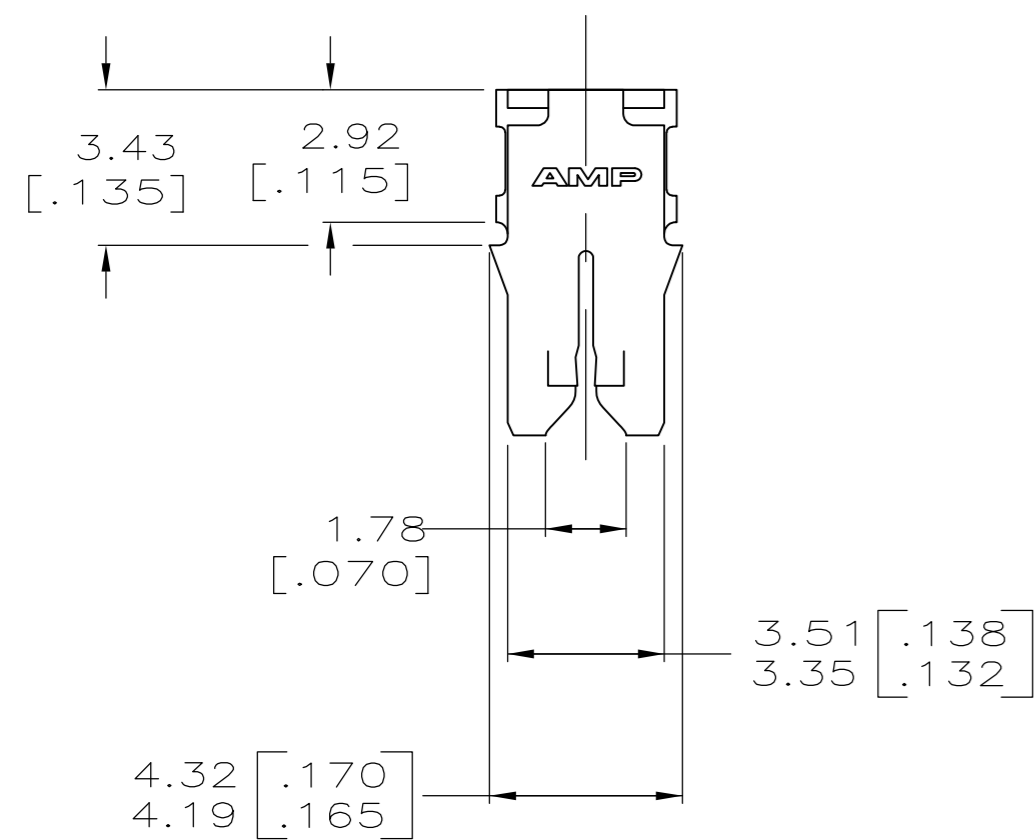
IDENTIFICATION NUMBER 10 FOR MAGNET WIRE RANGE



1 TERMINALS SUPPLIED LOOSE PIECE.



SLOT TERMINATES EITHER A SINGLE OR DOUBLE MAGNET WIRES OF THE SAME TYPE AND SIZE.  
 COPPER RANGE: 0.36-0.57mm [#27-#23] AWG.  
 ALUMINUM RANGE: 0.51-0.64 mm [#24- #22] AWG.



1742660-1

PART NUMBER

THIS DRAWING IS A CONTROLLED DOCUMENT.		DWN 19NOV2007 MICHAEL S. FEHER	Tyco Electronics Corporation Harrisburg, PA 17105-3608	
DIMENSIONS: INCHES		CHK 19NOV2007 KURT A. RANDOLPH	NAME	
TOLERANCES UNLESS OTHERWISE SPECIFIED:		APVD 19NOV2007 KURT A. RANDOLPH	TERMINAL, SPLICE, LOOSE PIECE, 300 SERIES MAG-MATE	
0 PLC ± -		PRODUCT SPEC	SIZE	CAGE CODE
1 PLC ± -		108-2012	A2	00779
2 PLC ± 0.25 [.010]		APPLICATION SPEC	DRAWING NO	RESTRICTED TO
3 PLC ± -		114-2046	C=1742660	-
4 PLC ± -		WEIGHT	SCALE	SHEET
ANGLES ± -		-	6:1	1 of 1
MATERIAL	FINISH	CUSTOMER DRAWING	REV	A2
4M BRASS	0.002032 [.000080] MIN TIN PLATE			