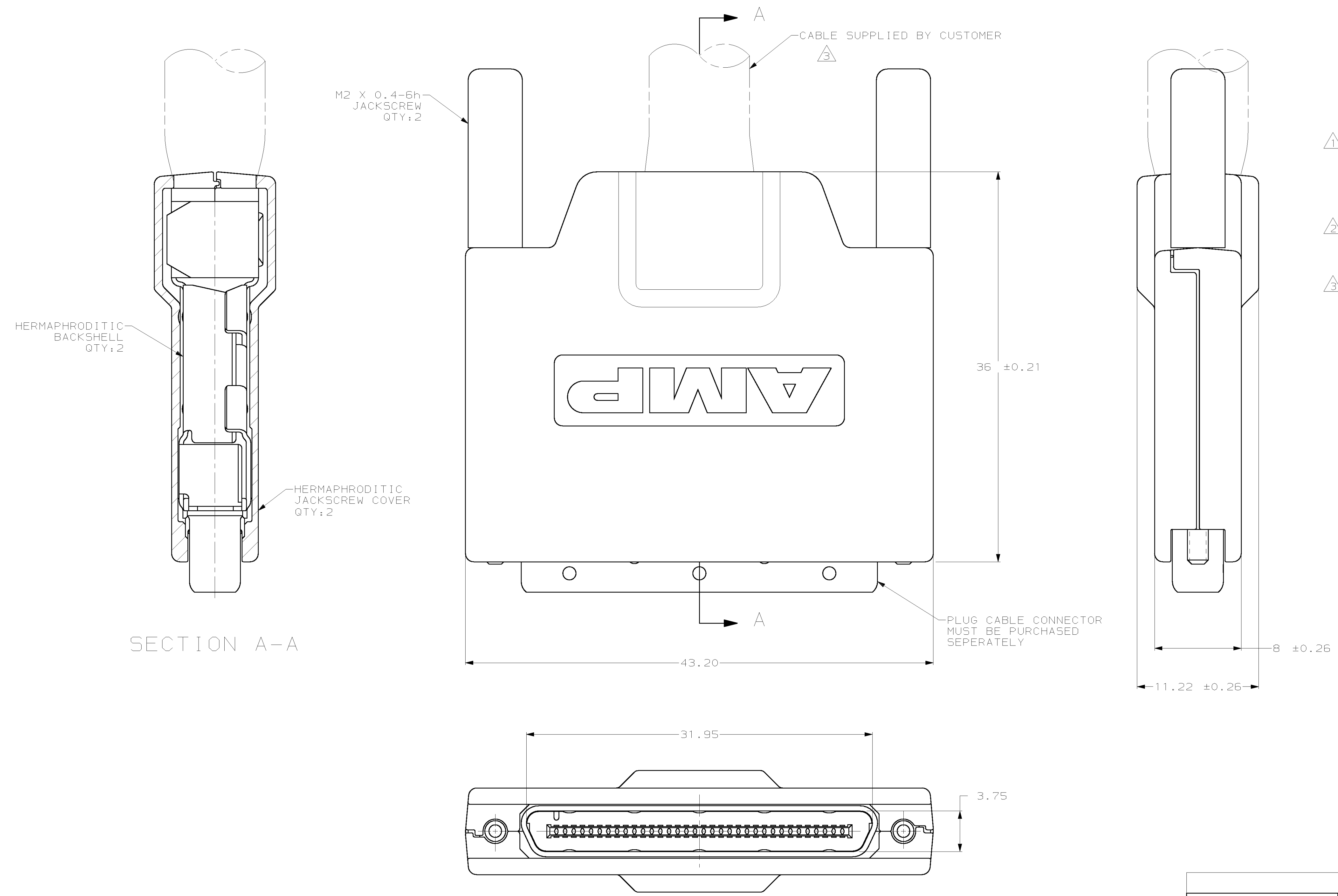


LOC		DIST		P		F		ZONE		LTR		REVISIONS			
GP	00											DESCRIPTION	DATE	APPD	
												B	REVISED PER EC 0513-0036-01	10JAN02	JG



- ① MATERIAL:
 HERMAPHRODITIC BACKSHELL- STEEL.
 JACKSCREW - STEEL.
 JACKSCREW HEAD - ABS MOLDING COMPOUND, COLOR-BLACK.
 HERMAPHRODITIC JACKSCREW COVER- UL 94V-0 RATED
 ABS MOLDING COMPOUND, COLOR-BLACK.
- ② PLATING:
 HERMAPHRODITIC BACKSHELL- 5µm MIN BRIGHT NICKEL OVER
 2.5µm MIN COPPER.
 JACKSCREW - BLUE CHROMATE OVER ZINC.
- ③ RECOMMENDED WIRE: 30 AWG WITH A 0.56-0.64 INSULATION DIAMETER,
 WIRE MUST BE APPROVED BY AMP ENGINEERING.

OBSELETE	INDIVIDUAL KIT	787191-2
	BULK, 100 KITS	787191-1
	PACKAGING	PART NO

DO NOT SCALE PRINT. UNLESS SPECIFIED DIMENSIONS IN MILLIMETERS TOLERANCES ON : 2 PLC DEC ± 0.13 3 PLC DEC ± - ANGLES ± -		DR 05/31/94 M.E.SHIRK	AMP Incorporated Harrisburg, PA 17105-3608
MATERIAL		CHK 05/31/94 WAYNE DAVIS	
FINISH		APPD 07/12/94 J.MOSIER	NAME
①		APPD 07/12/94 J.MOSIER	BACKSHELL KIT, JACKSCREW, 68 POSITION, CABLE CONNECTOR, 0.8mm, CHAMP
②		PRODUCT SPEC 108-1471	SIZE
		APPLICATION SPEC	CAGE CODE
			DRAWING NO
			① 00779 ②=787191
		WEIGHT -	SCALE
			5:1
			SHEET
			1 OF 1

THIS DRAWING IS A CONTROLLED DOCUMENT FOR
 AMP INCORPORATED. IT IS SUBJECT TO CHANGE
 AND THE CONTROLLING ENGINEERING ORGANIZATION
 SHOULD BE CONTACTED FOR THE LATEST REVISION.