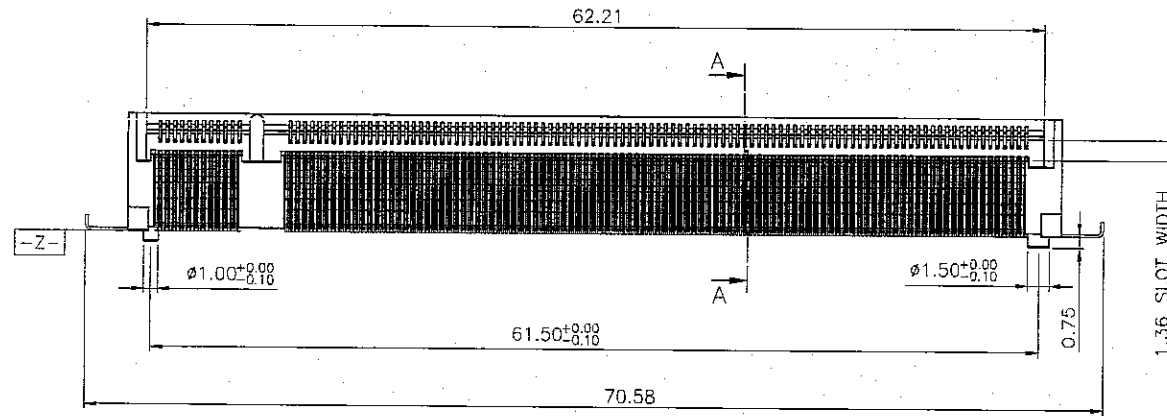
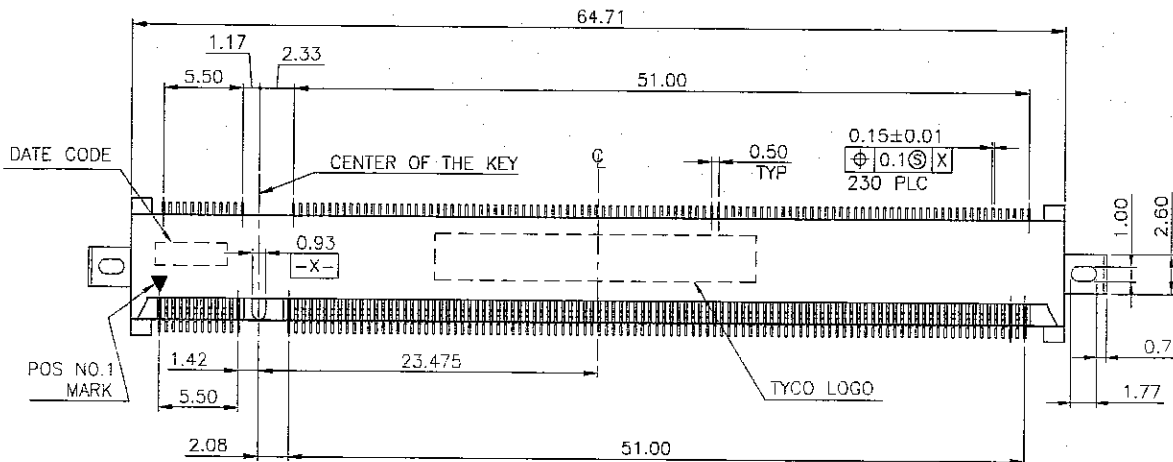


NUMBER C-1775063

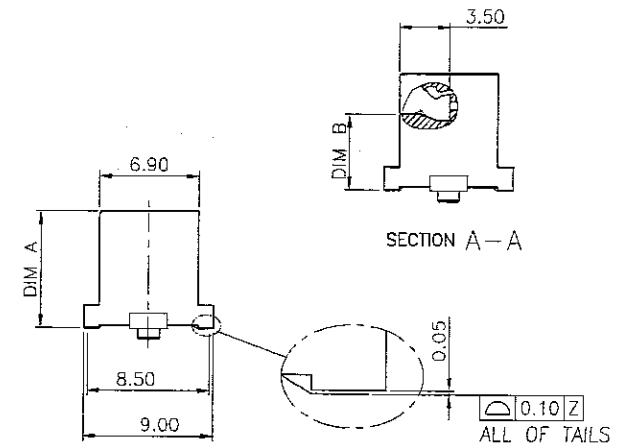
3RD ANGLE PROJECTION

METRIC



NOTE:

- MATERIAL:
HOUSING: THERMOPLASTIC (LCP) WITH 30% GF, UL 94V-0,
COLOR: (SEE TABLE)
CONTACTS: PHOSPHOR BRONZE.
SOLDER PEG: BRASS.
- FINISH:
CONTACTS: GOLD PLATED (SEE TABLE) OVER 1.27μm [50μ"] MIN.
NICKEL ON ENTIRE CONTACT.
SOLDER PEG: 2.54μm [100μ"] MIN. MATTE-TIN OVER 1.27μm [50μ"]
MIN. NICKEL.
- REFLOW SOLDER CAPABLE TO 260°C AS PER TYCO SPEC. 109-201,
CONDITION B.



0.318μm [15μ"]	WHITE	3.6 g	5.18	2.7	1775063-8
	BLACK <td>5.6 g <td>7.63 <td>5.0 <td>1775063-7</td> </td></td></td>	5.6 g <td>7.63 <td>5.0 <td>1775063-7</td> </td></td>	7.63 <td>5.0 <td>1775063-7</td> </td>	5.0 <td>1775063-7</td>	1775063-7
		3.6 g <td>7.63 <td>5.0 <td>1775063-5</td> </td></td>	7.63 <td>5.0 <td>1775063-5</td> </td>	5.0 <td>1775063-5</td>	1775063-5
		3.6 g <td>5.18 <td>2.7 <td>1775063-4</td> </td></td>	5.18 <td>2.7 <td>1775063-4</td> </td>	2.7 <td>1775063-4</td>	1775063-4
GOLD FLASH	WHITE	5.6 g <td>7.63 <td>5.0 <td>1775063-3</td> </td></td>	7.63 <td>5.0 <td>1775063-3</td> </td>	5.0 <td>1775063-3</td>	1775063-3
	BLACK	3.6 g <td>5.18 <td>2.7 <td>1775063-2</td> </td></td>	5.18 <td>2.7 <td>1775063-2</td> </td>	2.7 <td>1775063-2</td>	1775063-2
		5.6 g <td>7.63 <td>5.0 <td>1775063-1</td> </td></td>	7.63 <td>5.0 <td>1775063-1</td> </td>	5.0 <td>1775063-1</td>	1775063-1
MIN. GOLD THICKNESS	HSG. COLOR	WEIGHT	DIM A	DIM B	PART NUMBER

TOLERANCES UNLESS OTHERWISE SPECIFIED:

0 PLG ±1
1 PLC ±0.3
2 PLG ±0.3
3 PLG ±0.25
ANGLES ±3°

SEE NOTE 1.

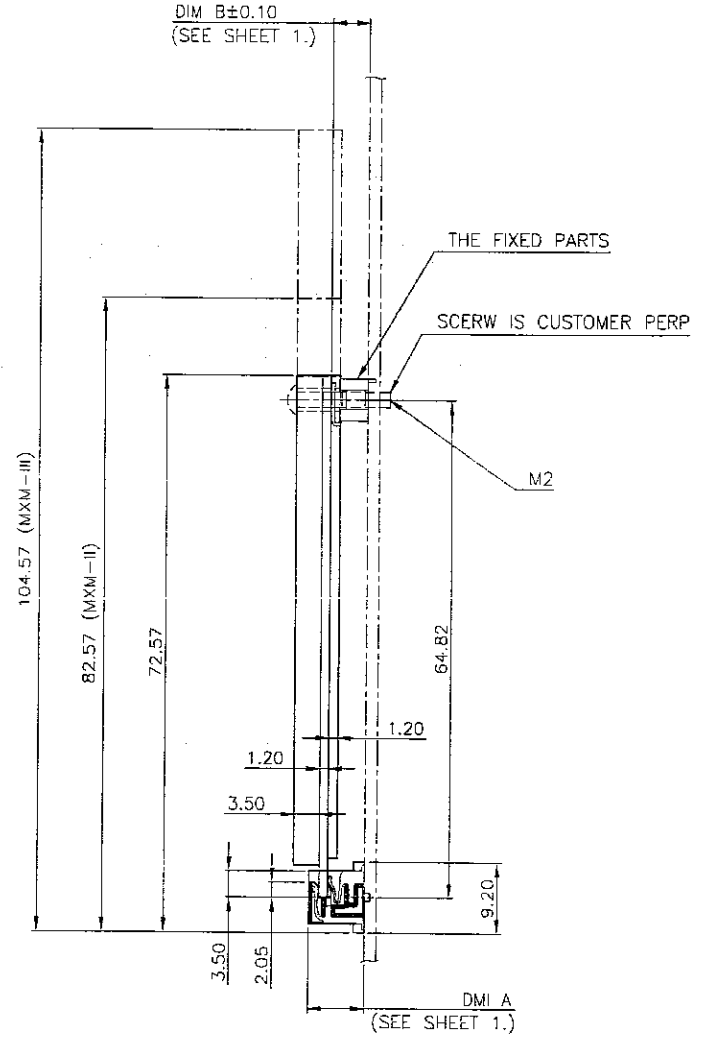
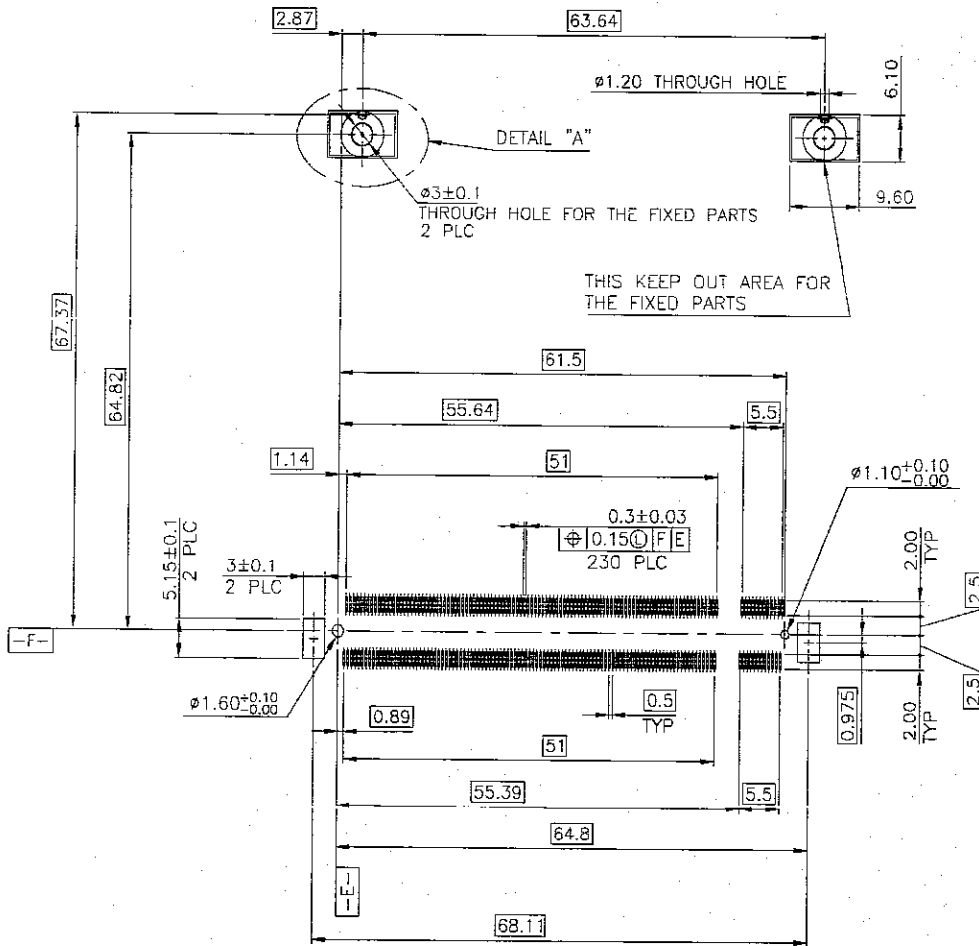
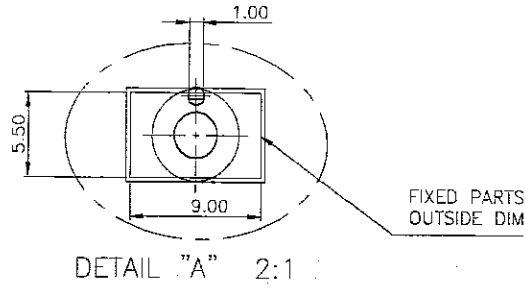
FINISH

SEE NOTE 2.

DWN	A. WU	18-MAY-2007	tyco Tyco Electronics Corporation Taipei, Taiwan				
CHK	S. HOU	18-MAY-2007	Electronics NAME				
MATERIAL	APVD	W.J. KE	BOARD TO BOARD CONNECTOR, 230 POSITION				
		18-MAY-2007	PRODUCT SPEC 108-57544				
			QUALIFICATION TEST REPORT 501-57630	LOC DW	SIZE A ₃	DRAWING NO C-1775063	REV A1
			WEIGHT SEE TABLE	SCALE --	SHEET 1 OF 4		

A1	REVISE TOLERANCES	ECR-07-011799	AW	SH	18MAY 2007
A	REVISE PACKAGING	ECR-06-017404	AW	SH	19JUL 2006
0	FIRST RELEASED	--	AW	SH	19MAY 2005
LTR	REVISION RECORD	ECN	DWN	CHK	DATE

THIS INFORMATION IS CONFIDENTIAL AND IS DISCLOSED TO YOU ON THE CONDITION THAT
 NO FURTHER DISCLOSURE IS MADE BY YOU TO OTHER THAN AMP PERSONNEL WITHOUT
 THE WRITTEN PERMISSION FROM AMP (TAIWAN) LTD.
 DIMENSIONS IN MILLIMETERS. DO NOT SCALE PRINT.



RECOMENDED PCB LAYOUT

TOLERANCES UNLESS OTHERWISE SPECIFIED:	DWN	A. WU	tyco	Tyco Electronics Corporation
0 PLC ±-	18-MAY-2007	S. HOU	Electronics	Taipei, Taiwan
1 PLC ±-	18-MAY-2007	W.J. KE	BOARD TO BOARD CONNECTOR, 230 POSITION	
2 PLC ±0.25	18-MAY-2007	18-MAY-2007	NAME	
3 PLC ±-	18-MAY-2007	18-MAY-2007	APVD	
ANGLES ±-	18-MAY-2007	18-MAY-2007	PRODUCT SPEC	
MATERIAL			QUALIFICATION TEST REPORT	
FINISH			WEIGHT	
			LOC	SIZE
			DW	A ₃
			DRAWING NO	C-1775063
			SCALE	ISHEET
				2 OF 4

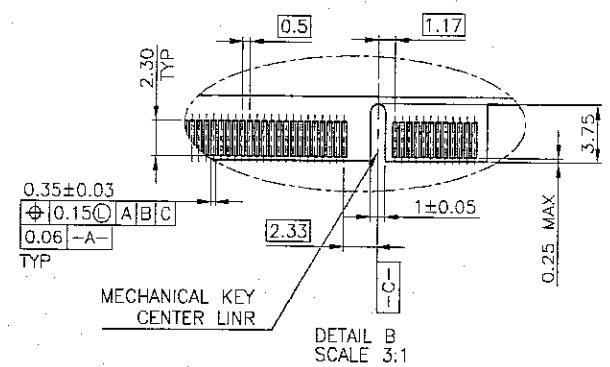
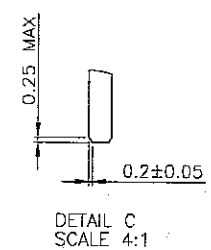
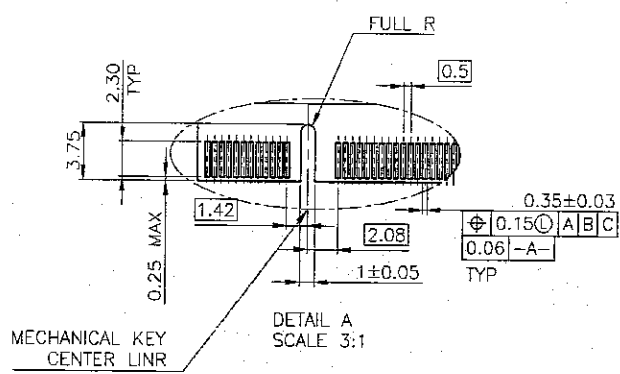
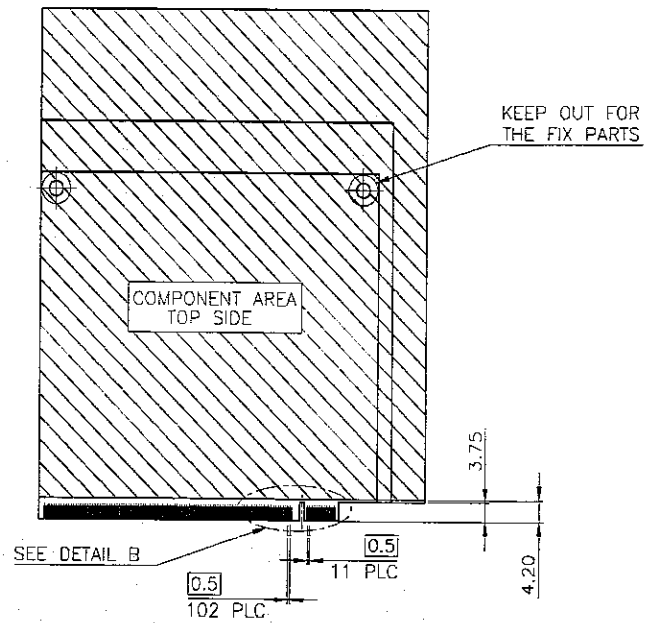
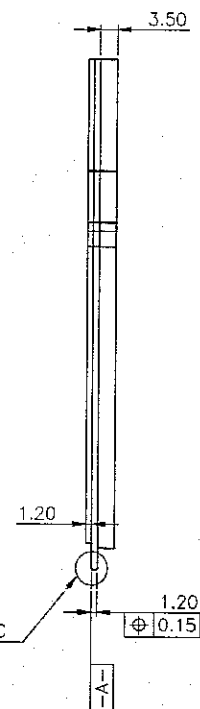
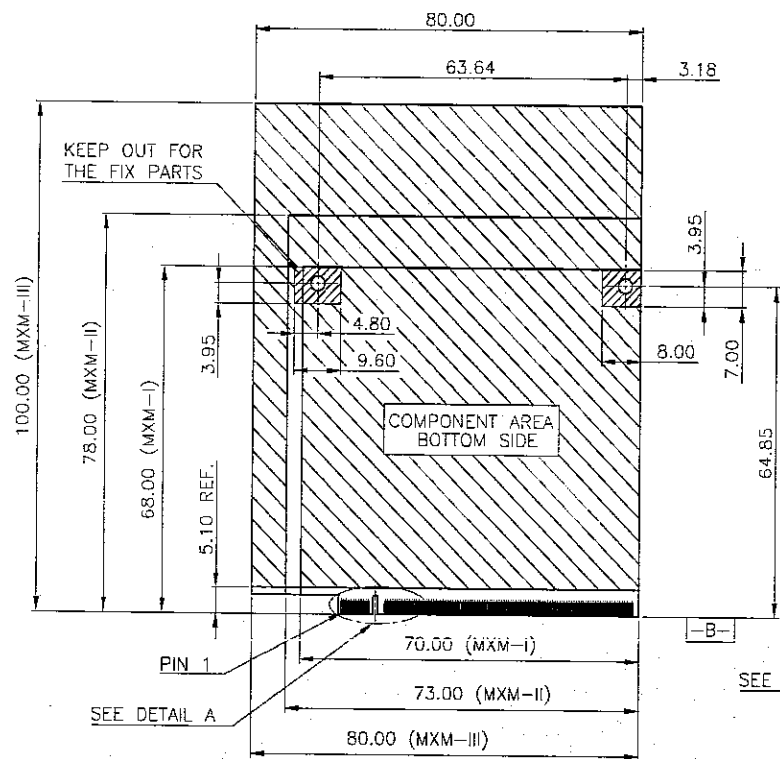
SEE SHEET 1.	ECN	DWN	CHK	DATE
LTR	REVISION RECORD			

NUMBER
C-1775063



METRIC

THIS INFORMATION IS CONFIDENTIAL AND IS DISCLOSED TO YOU ON CONDITION THAT NO FURTHER DISCLOSURE IS MADE BY YOU TO OTHER THAN AMP PERSONNEL WITHOUT THE WRITTEN PERMISSION OF AMP (TAYWAN) LTD. ALL DIMENSIONS IN MILLIMETERS. DO NOT SCALE. PRINT.



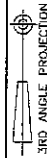
RECOMMENDED PCB MOUNT LAYOUT
TOLERANCE ±0.05

TOLERANCES UNLESS OTHERWISE SPECIFIED:	DWN	A. WU 18-MAY-2007	tyco Tyco Electronics Corporation Taipei, Taiwan Electronics
0 PLC ±-	CHK	S. HOU 18-MAY-2007	
1 PLC ±0.3	MATERIAL	APVD	BOARD TO BOARD CONNECTOR, 230 POSITION
2 PLC ±0.25	FINISH	W.J. KE 18-MAY-2007	
3 PLC ±0.2	QUALIFICATION TEST REPORT	PRODUCT SPEC	LDC SIZE DRAWING NO DW A ₃ C-1775063 SCALE SHEET 3 OF 4
ANGLES ±3°	WEIGHT	REVISION	

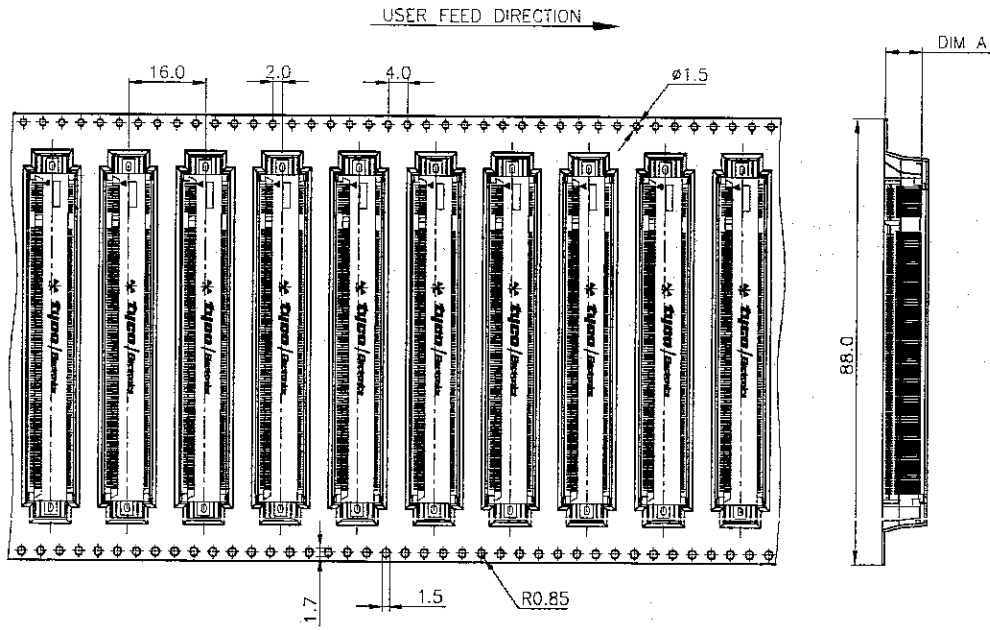
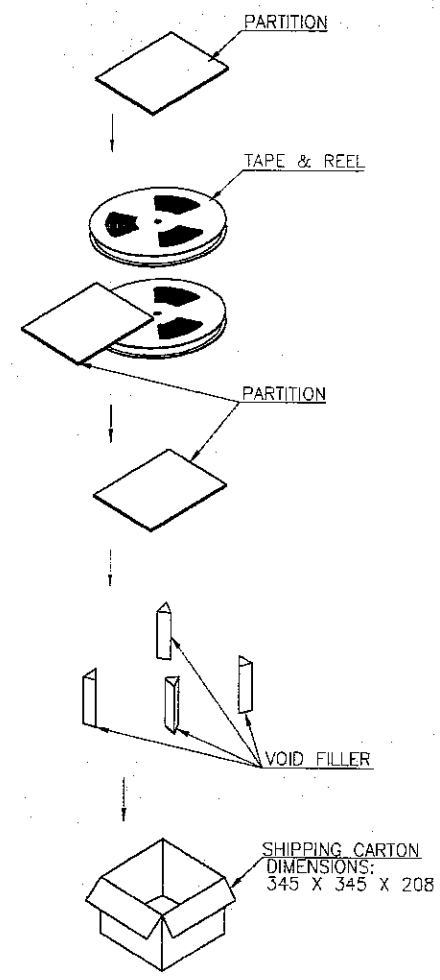
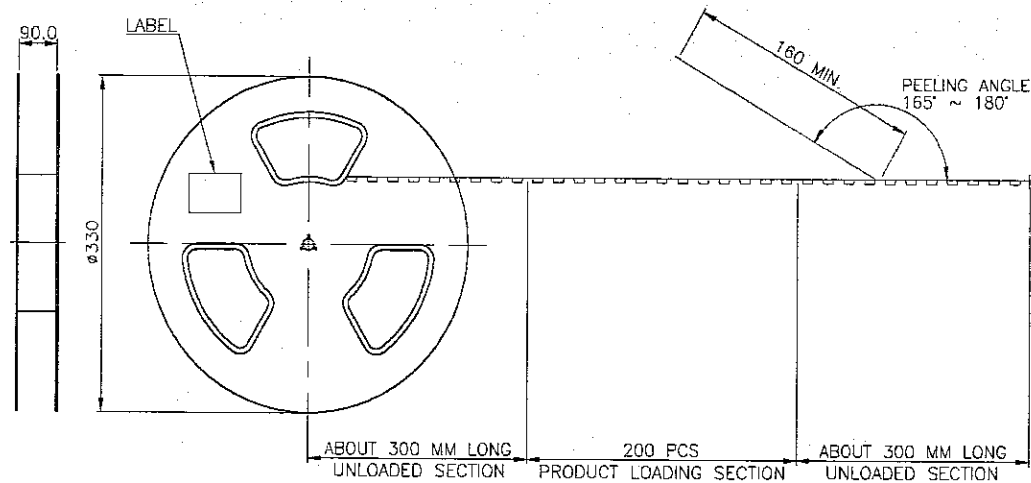
SEE SHEET 1.	ECN	DWN	CHK	DATE
REVISION RECORD				

8 7 6 5 4 3 2 1
CUSTOMER DRAWING

NUMBER
C-1775063



METRIC



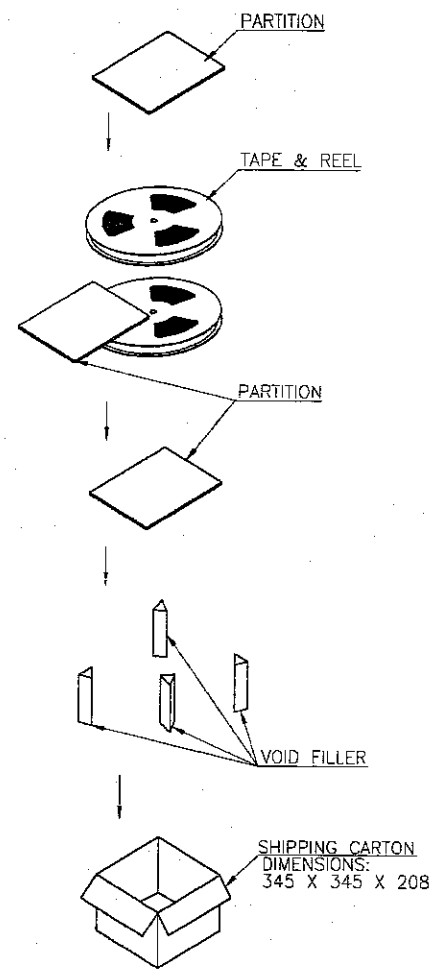
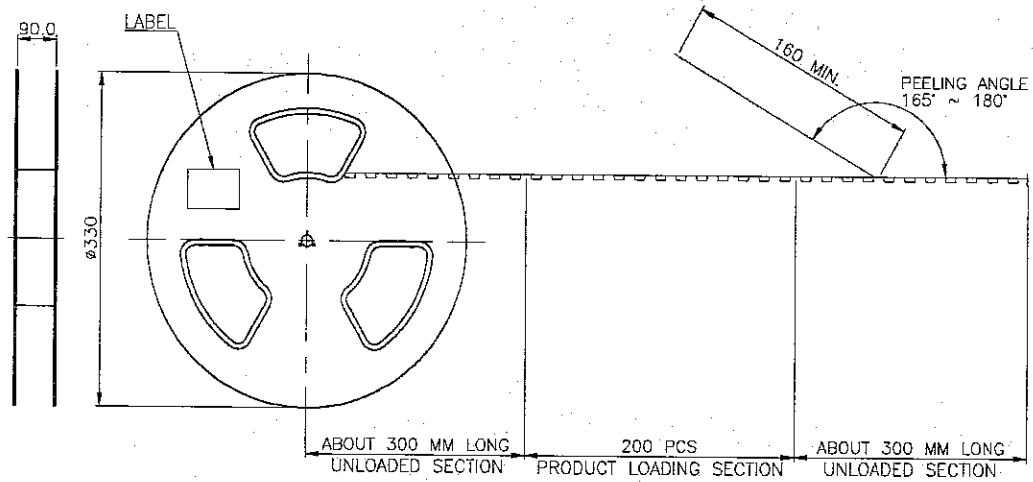
7.63	350	2	700	6.45	3.9
5.18	450		900	5.88	3.43
DIM A	PCS/REEL	REELS/CARTON	QUANTITY	G/W (KG)	N/W (KG)

TOLERANCES UNLESS OTHERWISE SPECIFIED: 0.1 PLC 0.2 P/B 0.3 P/C 0.4 P/S ANGLES ±	DWN	A. WU 18-MAY-2007	tyco Tyco Electronics Corporation Taipei, Taiwan		
	CHK	S. HOU 18-MAY-2007	Electronics NAME		
MATERIAL	APVD	W.J. KE 18-MAY-2007	BOARD TO BOARD CONNECTOR, 230 POSITION		
FINISH	QUALIFICATION TEST REPORT	-	LOC	SIZE	DRAWING NO
WEIGHT	-	-	DW	A ₃	C-1775063
			SCALE	SHEET	
			4 OF 4		

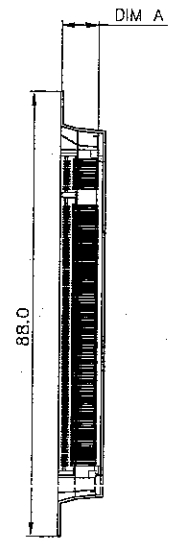
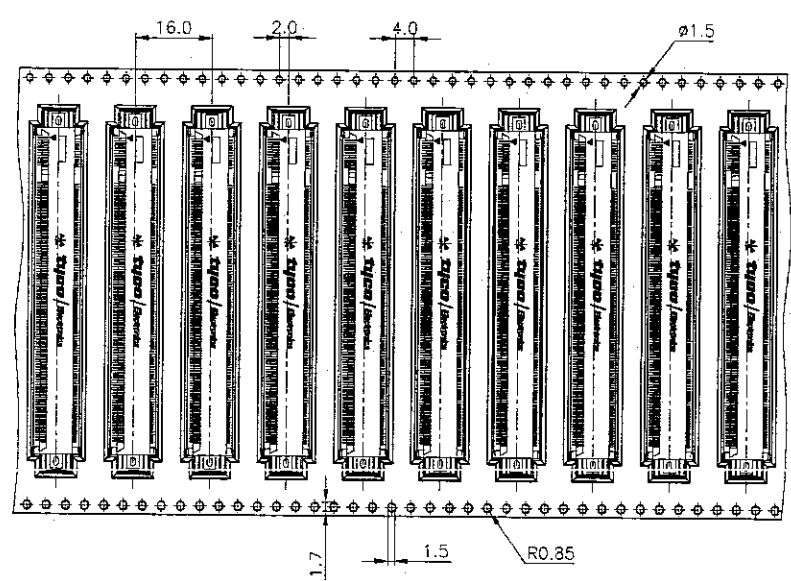
SEE SHEET 1.	ECN	DWN	CHK	DATE
LTR	REVISION RECORD			

THIS INFORMATION IS CONFIDENTIAL AND IS DISCLOSED TO YOU ON CONDITIONS THAT NO FURTHER DISCLOSURE IS MADE BY YOU TO OTHER THAN AMP PERSONNEL WITHOUT WRITTEN AUTHORIZATION FROM AMP (TAIWAN) LTD. DIMENSIONS IN MILLIMETERS. DO NOT SCALE PRINT.

PRINT
DW



USER FEED DIRECTION →



7.63	350	2	700	6.45	3.9
5.18	450		900	5.88	3.43
DIM A	PCS/REEL	REELS/CARTON	QUANTITY	C/W (KG)	N/W (KG)

TOLERANCES UNLESS OTHERWISE SPECIFIED:		REMOVE BURRS, BREAK SHARP EDGE 0.4R MAX. ANGLES: - DECIMALS: 0 PLC: ±- 1 PLC: ±- 2 PLC: ±- 3 PLC: ±-		
DWN	A. WUJAPVD	W.J. KE	tyco Tyco Electronics Corporation	
CHK	S. HOUJREL	18-MAY-2007	Taipei, Taiwan	
TERMINAL	TYPE	FIRST USED	SIZE	LOC
			A3DW	NUMBER
				1775063
				REV
				A1

SEE SHEET 1.		ECN	DWN/CHK	DATE
LTR	REVISION RECORD			

SCALE NAME BOARD TO BOARD CONNECTOR, 230 POSITION

THIS INFORMATION IS CONFIDENTIAL AND IS DISCLOSED TO YOU ON CONDITION THAT YOU WILL NOT DISCLOSE IT TO ANY OTHER PERSONNEL WITHOUT THE WRITTEN AUTHORIZATION OF THE COMPANY. THE COMPANY WILL NOT BE RESPONSIBLE FOR DAMAGES IN MILLIMETERS. DO NOT SCALE PRINT.