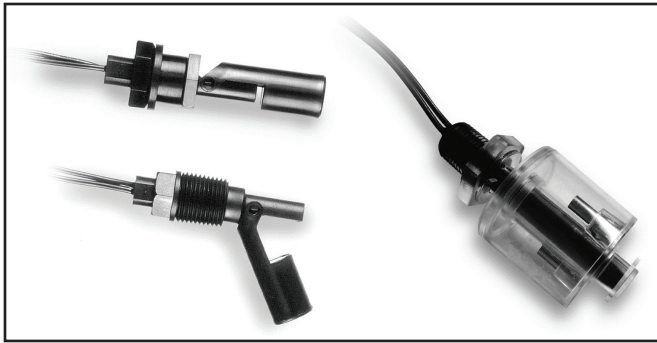


Level Sensors Electromechanical Float Switches Types FS, Horizontal and Vertical Mount



- Float switches for liquid level sensing
- Horizontal or vertical mount
- Polypropylene, nylon, or polysulfone housings
- Maximum switching voltage: 200 VDC or 240 VAC
- Maximum switching current: 0.5 A (SPST)
- Suitable for specific gravities > 0.75

Product Description

The FS series of sensors are economical electromechanical float switches for liquid level sensing. Selectable normally open or normally closed outputs, along

with various mounting configurations and housing materials, allow the FS sensors to fit a wide variety of level applications.

Ordering Key

FS H -2 4

Type _____
 Mounting attitude _____
 Mounting type _____
 Housing material _____

Type Selection

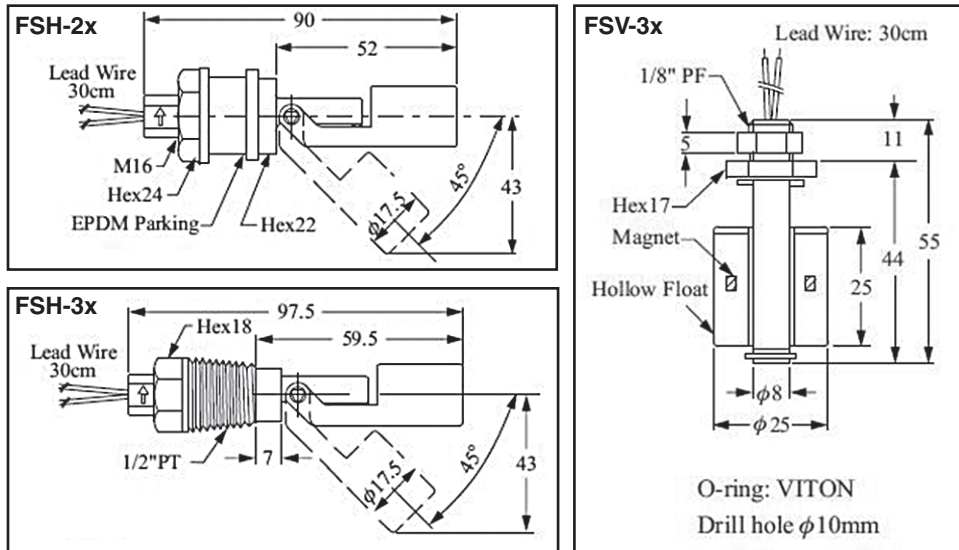
Housing Material	Horizontal mount, Ø16 mm compression	Horizontal mount, 1/2" NPT thread	Vertical mount, 1/8" PF thread
Polypropylene	FSH-21	FSH-31	FSV-31
Nylon*	FSH-24	FSH-34	
Polysulfone	FSH-25	FSH-35	FSV-35

Specifications

Rated maximum switching voltage	200 VDC, 240 VAC	Connection	2 wires, XLPE 22 AWG x 12 in.
Rated maximum current		Suitable specific gravity	
Switching	0.5 A	FS... 1 types	>0.75
Carrying	1.0 A	FS... 4 types	>0.80
		FS... 5 types	>0.85
Rated maximum switching capacity	50W (VA)	Housing material color	
Switch type, function	Reed, SPST	FS... 1 Types	Polypropylene, black
Rated operating temperature		FS... 4 types	*Nylon, white
FS... 1 types	-4 to +176°F	FS... 5 types	Polysulfone, transparent
FS... 4 types	-4 to +250°F	MTBF	1,000,000 Cycles
FS... 5 types	-4 to +250°F	Approvals	CE
Rated operating pressure		Weight	
FS... 1 types	57 psi	FSH... 1 types	35 g
FS... 4/5 types	28 psi	FSH... 4 types	38 g
		FSH... 5 types	40 g
		FSV... types	18 g

* Nylon floats may absorb water if submerged for extended periods of time, therefore they are not recommended for low-level applications in water-based media.

Dimensions



Installation Guide

- FSH...types** Normally open or normally closed operation is selectable by orientation of the sensor in the tank. Normally open switching is obtained when the arrow on the mounting is pointed up, and vice versa, normally closed when the arrow is downward.
- FSV...types** Normally open or normally closed operation is selectable by inversion of the float on the shaft. The switches are shipped normally open otherwise indicated.

