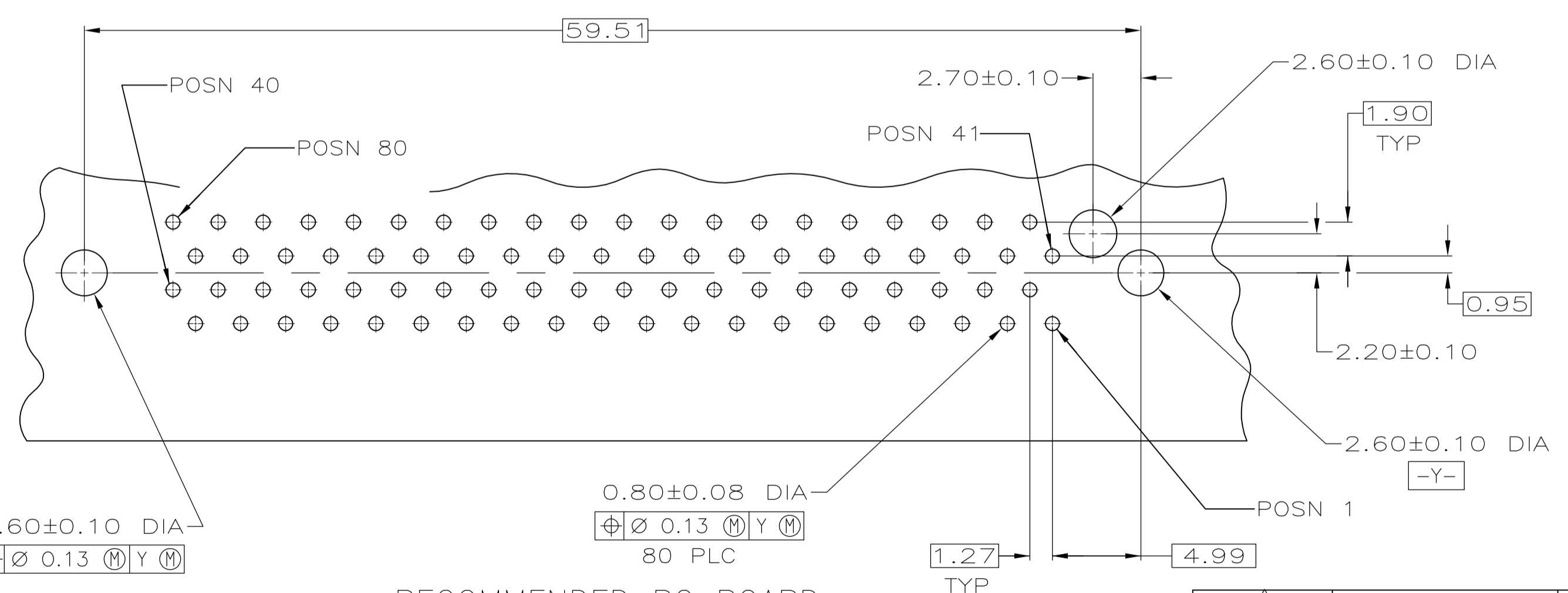
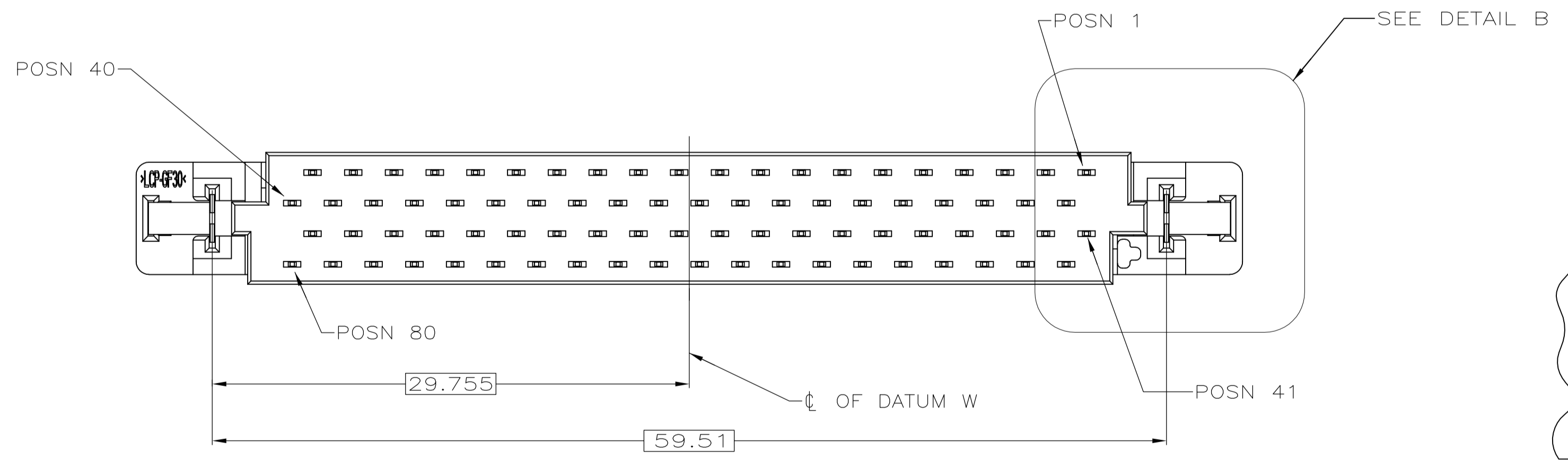
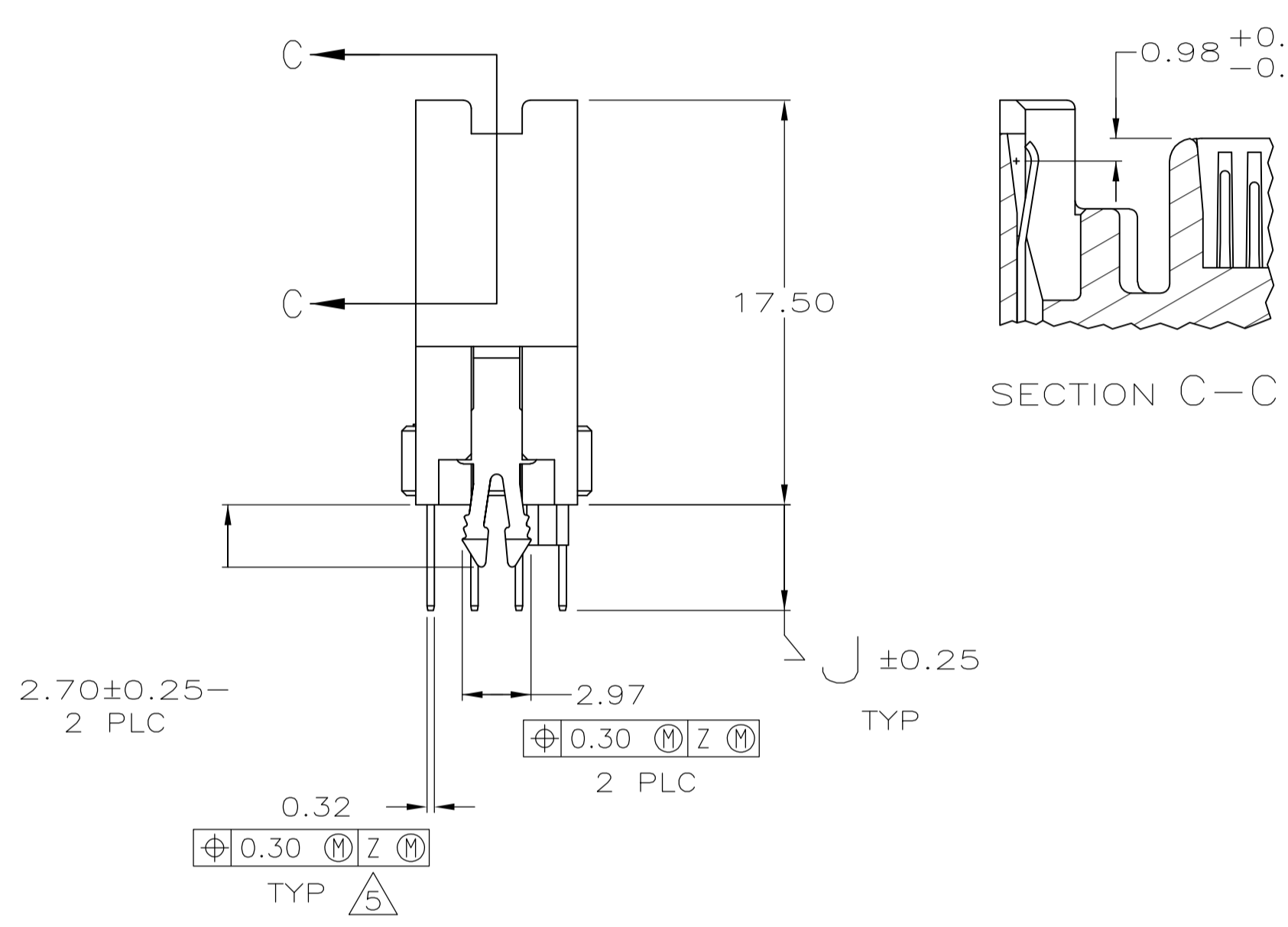
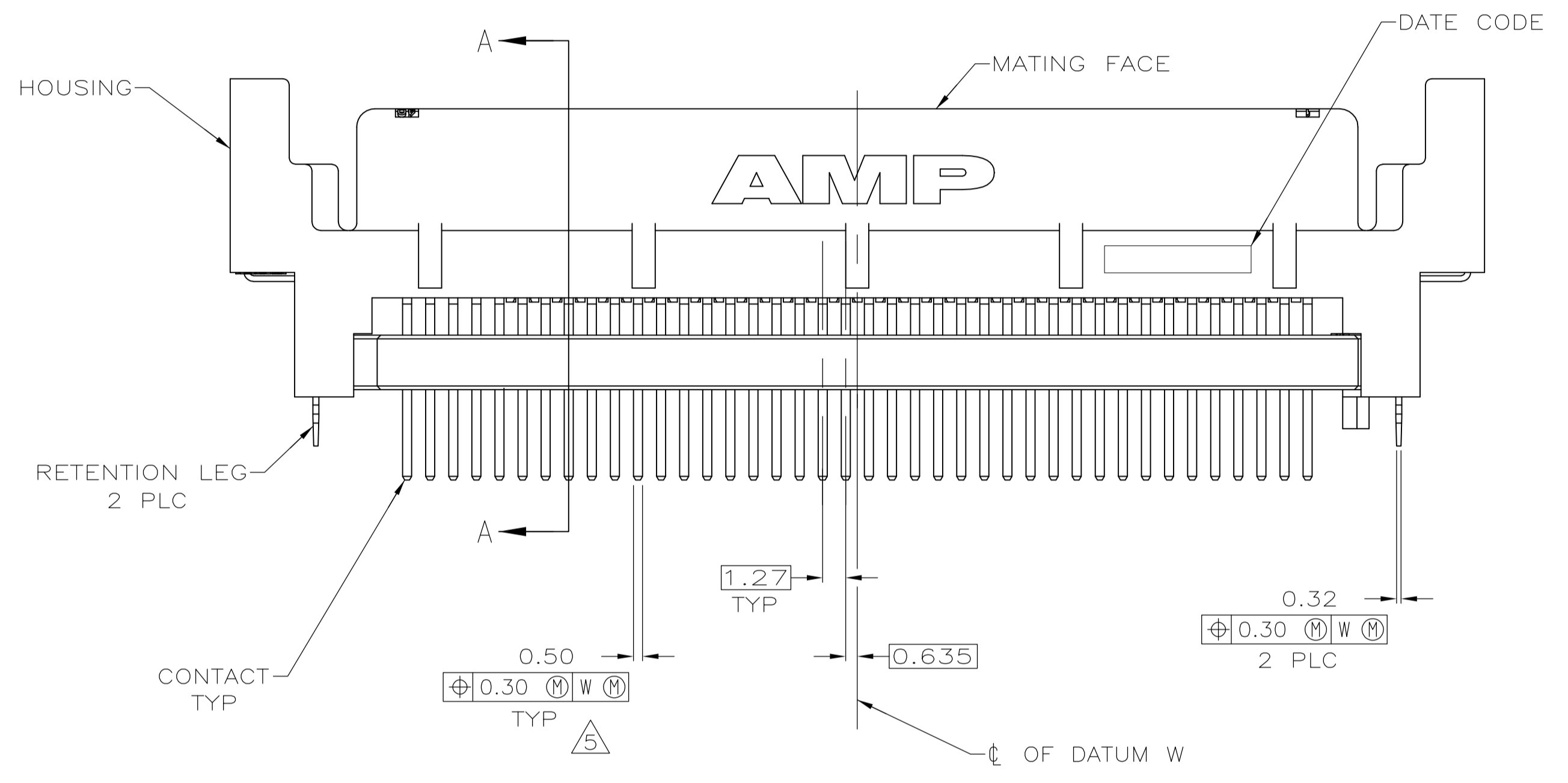
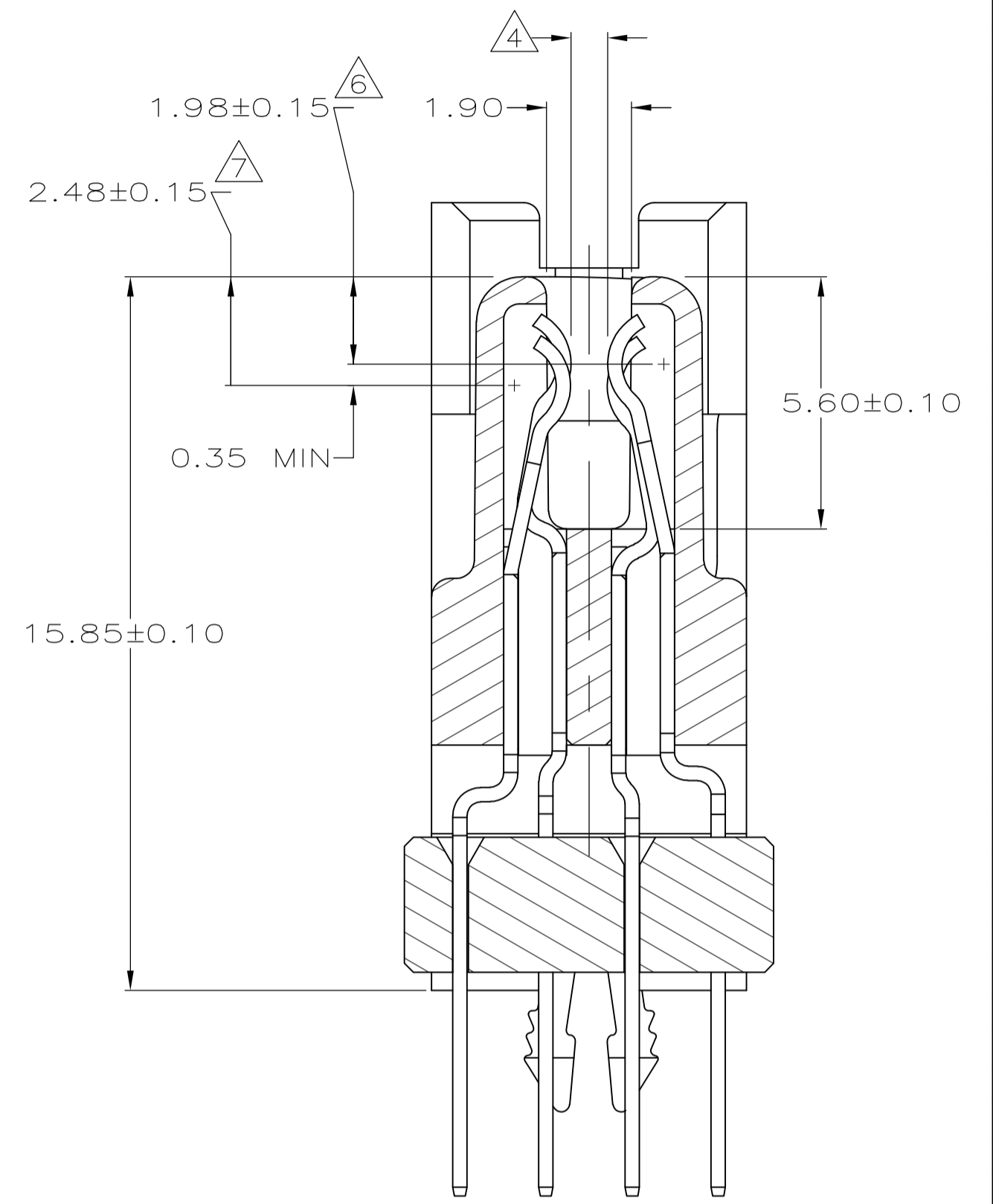
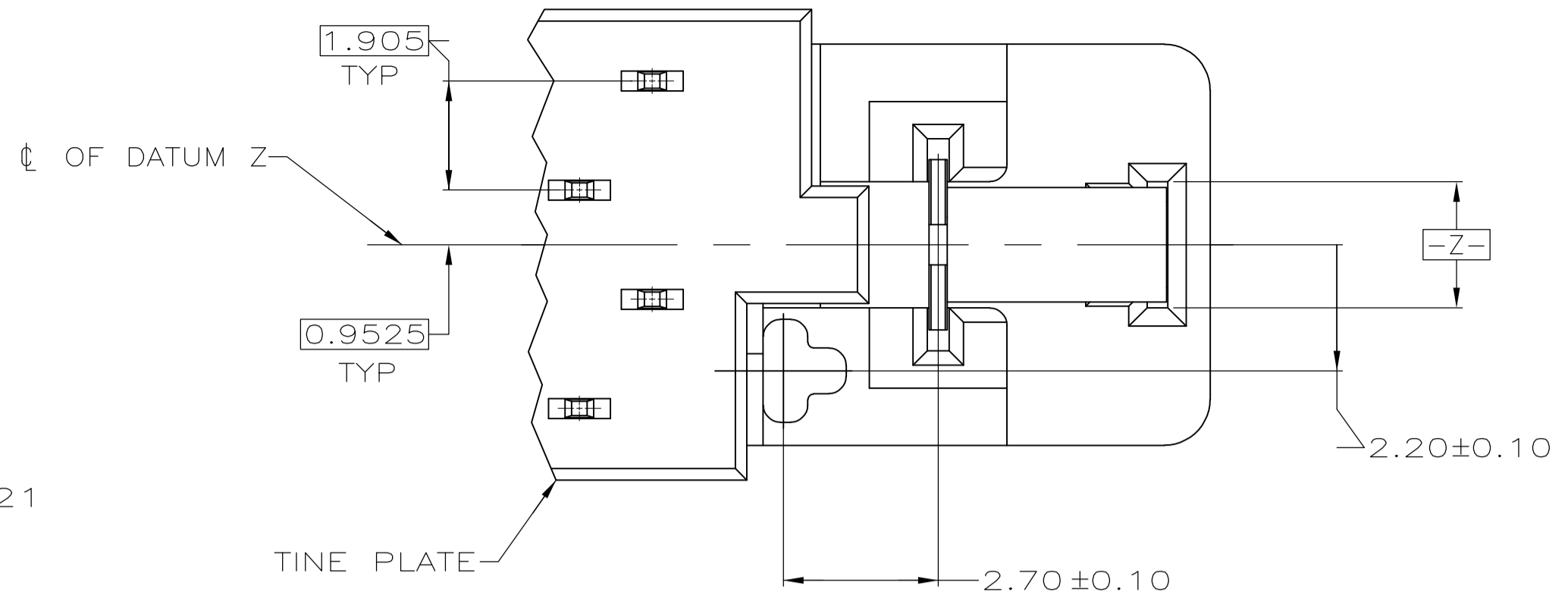
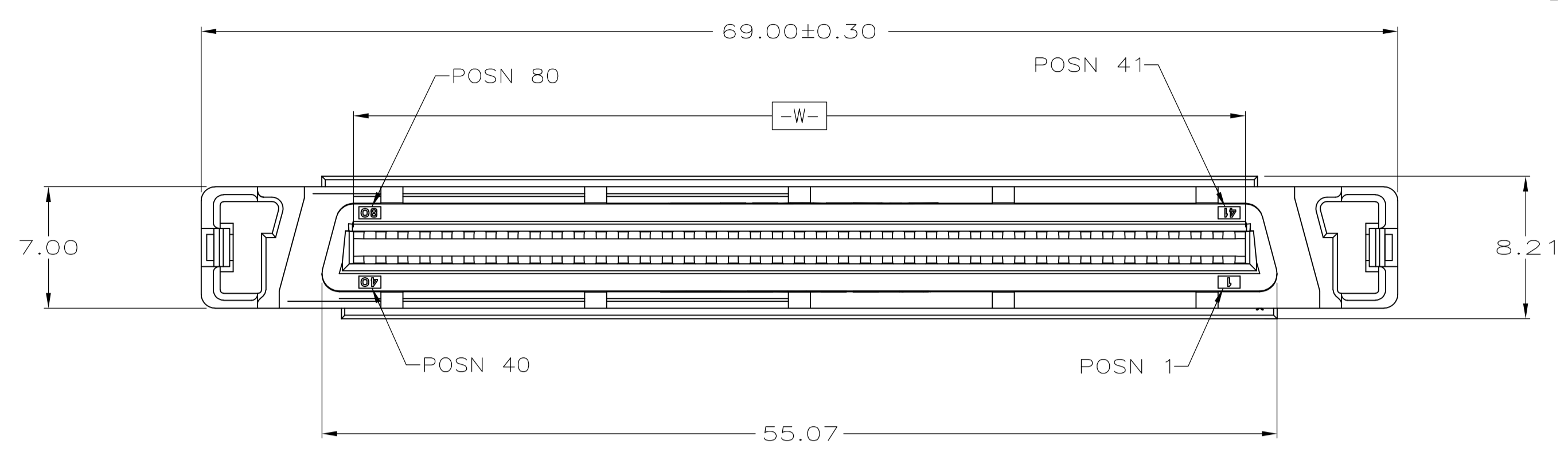


LOC		DIST		REVISIONS			
GP	00	F	LTR	DESCRIPTION	DATE	DWN	APVD
N		REVISED PER	ECO-12-012349		21MAR13	BL	AC



- △ HOUSING & TINE PLATE: POLYESTER, UL 94V-0 RATED, BLACK. CONTACTS: PHOSPHOR BRONZE. RETENTION LEGS: BRASS.
- △ CONTACTS: 0.76 μm MIN GOLD FOR A LENGTH 1.20 MIN STARTING 0.50 MAX FROM MATING END, 3.81 μm MIN TIN-LEAD ON SOLDER TINES, BOTH OVER 1.27 μm MIN NICKEL. RETENTION LEGS: 3.81 μm MIN TIN-LEAD OVER 1.27 μm MIN NICKEL.
- △ CONNECTOR WILL ACCOMMODATE PRINTED CIRCUIT BOARD THICKNESS OF 1.77 TO 4.06.
- △ CONNECTOR WILL ACCOMMODATE MATING PRINTED CIRCUIT BOARD OF 1.60±0.07 THICKNESS.
- △ POSITION TOLERANCE APPLIES AT CONTACT TIP ONLY.
- △ CONTACTS 1, 36 THRU 43, 45 THRU 46 & 75 THRU 80 ARE POSITIONED TOWARD THE MATING FACE. (LONG)
- △ CONTACTS 2 THRU 35, 44 & 47 THRU 74 ARE POSITIONED AWAY FROM THE MATING FACE. (SHORT)
- △ CONTACTS: 0.76 μm MIN GOLD FOR A LENGTH 1.20 MIN STARTING 0.50 MAX FROM MATING END, 3.81 μm MIN MATTE TIN ON SOLDER TINES, BOTH OVER 1.27 μm MIN NICKEL. RETENTION LEGS: 3.81 μm MIN HALT TIN.

△	3.18	787596-5
△	4.57	787596-4
△	3.18	787596-3
△	2.79	787596-2
△	4.57	787596-1
FINISH		J
OBSOLETE		
OBSOLETE		
FINISH		J
PART NUMBER		

THIS DRAWING IS A CONTROLLED DOCUMENT.

DIMENSIONS: mm	TOLERANCES UNLESS OTHERWISE SPECIFIED:	DIN C. OBERMAN 27 SEP 95	APVD R. STONE 28 SEP 95	NAME	TE Connectivity
0 PLC ± -	1 PLC ± -	2 PLC ± 0.13	3 PLC ± -	4 PLC ± -	ANGLES ± -
MATERIAL	FINISH	SIZE	CODE	DRAWING NO	RESTRICTED TO
SEE TABLE		A1	00779	787596	
CUSTOMER DRAWING		SCALE	4:1	SHEET	1 OF 1

RECEPTACLE ASSEMBLY, VERTICAL, EXTENDED HEIGHT, 80 POSN, SERIES 1, CHAMP BLINDMATE